

# Dynapac CS1400 VI

## Steel drum rollers



### Technical data



#### Masses

Operating mass (incl. ROPS, without ballast)	23,400 lbs
Max. operating mass (incl. ROPS, ballasted)	28,200 lbs
Max. front module mass (incl. ROPS, ballasted)	14,800 lbs
Max. rear module mass (incl. ROPS, ballasted)	13,400 lbs



#### Propulsion

Type	Articulated steering
Turning radius, inside	12 ft
Turning radius, outside	19 ft
Vertical oscillation	±9°
Transport speed	0-9 mph
Working speed	0-6 mph



#### Compaction

Static linear load (incl. ROPS, w/o ballast), front	280.52 lbs/in
Static linear load (incl. ROPS, w/o ballast), rear	258.12 lbs/in
Max. static linear load (incl. ROPS, ballasted), front	329.23 lbs/in
Max. static linear load (incl. ROPS, ballasted), rear	321.95 lbs/in
Rolling width	83 in
Drum overlap	1.97 in
Water tank	139 gal



#### Engine

Manufacturer/Model	Deutz TD 3.6 L4 V/T4F
Type	Water cooled turbo Diesel
Rated power, ISO 14396	55 kW (74 hp ) @ 2,200 rpm
Fuel tank capacity	29 gal



#### Hydraulic system

Driving	Axial piston pump with variable displacement. 3 axial piston motors, 2 with variable displacement.
Steering	Gear pump with constant displacement.
Service brake	Hydrostatic in forward and reverse lever.
Parking/Emergency brake	Failsafe multidisc on all 3 drums.

Find us locally at [www.dynapac.us](http://www.dynapac.us)

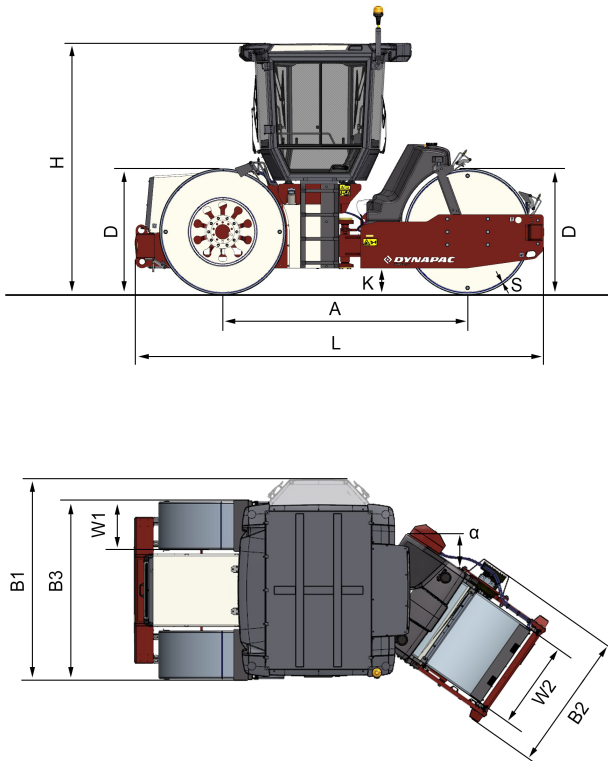
We reserve the right to change specifications without notice. Photos and illustrations do not always show standard versions of machines. The above information is a general description only, all informations are supplied without liability.

# Dynapac CS1400 VI

## Steel drum rollers



### Technical data



Dimensions	
A. Wheelbase	114 in
B1. Width, front with asym cab	93 in
B2. Width, rear	60 in
B3. Width, front with ROPS or sym cab	83 in
D. Drum diameter	59 in
H. Height, with ROPS/cab	118 in
K. Ground clearance	12 in
L. Length	191 in
S. Drum shell thickness	front 0,79 in /rear 0,87 in
W1. Drum width, front	22 in
W2. Drum width, rear	42 in
α. Steering angle	±34°

Find us locally at [www.dynapac.us](http://www.dynapac.us)

We reserve the right to change specifications without notice. Photos and illustrations do not always show standard versions of machines. The above information is a general description only, all informations are supplied without liability.