

Dynapac CP2100W

Pneumatic rollers



Technical data



Masses

Operating mass (incl. ROPS)	22,900 lbs
Mass with max. ballast	46,300 lbs
Mass with wet sand ballast	33,500 lbs



Propulsion

Speed low	5.6 mph
Speed high	14.0 mph



Compaction

Rolling width	89 in
Tire overlap	1.7 in
Wheel loads, without ballast	3,300 lbs
Wheel loads, with wet sand ballast	4,800 lbs
Wheel loads, with max. ballast	6,600 lbs
Tire pressure, min	36 psi
Tire pressure, max	123 psi
Tire type (smooth)	14/70 R20
Water spray system, type	Pressurized
Water spray system, tank capacity	110 gal
Water spray system, spray nozzle	one per tire
Ballast volume	85 cu. ft.



Engine

Manufacturer/Model	Cummins QSF 3.8 (Tier 4F)
Rated power, SAE J1995	120 hp @ 2,200 rpm
Type	Water cooled turbo Diesel
Fuel tank capacity	55 gal
Electrical system	24V



Engine

Manufacturer/Model	Cummins QSB 3.3 (Tier 3A)
Rated power, SAE J1995	74 kW (99 hp) @ 2,200 rpm
Type	Water cooled turbo Diesel



Hydraulic system

Driving	Axial piston pump with variable displacement. Axial piston motors (2) with variable displacement.
Steering	Axial piston pump with variable displacement.
Service brake	2 multidisc brakes on rear wheels activated by pedal.
Parking/Emergency brake	Failsafe multidisc brakes in both gear boxes.

Find us locally at www.dynapac.us

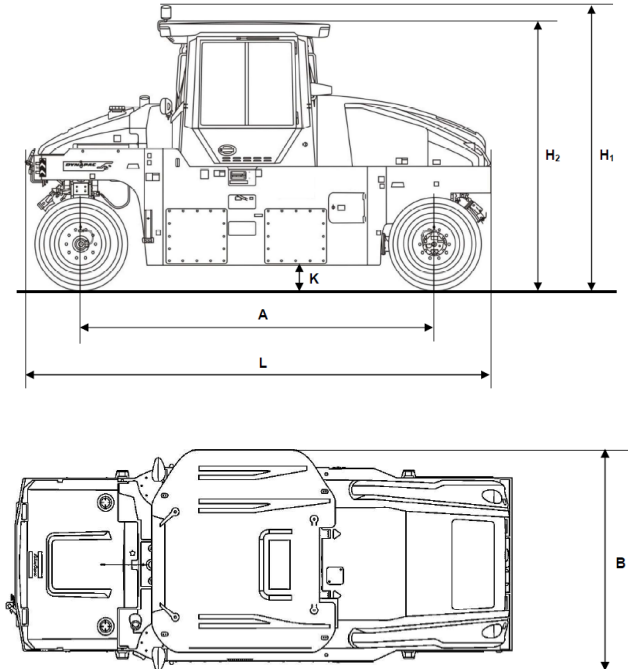
We reserve the right to change specifications without notice. Photos and illustrations do not always show standard versions of machines. The above information is a general description only, all informations are supplied without liability.

Dynapac CP2100W

Pneumatic rollers



Technical data



Dimensions	
A. Wheelbase	157 in
B. Width	89 in
H1. Height, max.	132 in
H2. Height, transport	118 in
K. Ground clearance	9.8 in
L. Length	204 in
R. Turning radius, outside	321 in



Standard equipment

AWC (Automatic Water Control), Battery switch, Back up alarm, Back up camera, Cocoa mats, Documentation (Manuals -one set), Drainage for water ballast, Emergency stop, Engine temperature display, Fuel level display, Horn, Hour meter, Hydraulic checkpoints, Hydraulic fluid temperature display, Hydrostatic drive with 2 motors, Interloc system, Key master and start, Lifting and tiedown eyes, Mirrors (traffic view), Multi-disc brakes for parking and dynamic service brake, Parking brake, Rotating beacon, Redundant brake system, ROPS/FOPS (4 post with roof and 3" seat belt), Sliding and swiveling operator unit, Steel ballast front (2,540 lbs) -CP2700 only, Sprinkler and scraper system, Sprinkler pump (back up), Sprinkler timer, Tachometer display, Tilt steering wheel, Vandal cover (Canopy or ROPS/FOPS), Water level gauge, Water tank covers (lockable), Working lights (front/rear), Warning - Air cleaner, Warning - Brake, Warning - Clogged hydraulic oil filter, Warning - Engine oil pressure, Warning - Engine temperature, Warning - Hydraulic fluid temperature, Warning - Low charge, Warning - Low fuel level, Voltage meter display. INCLUDED IN COMFORT CAB: Air conditioning (ACC), Air filtering system, Fan -fresh air (3-speed), Heater, Interior light, Radio & MP3 player, Rear view mirrors (external), Rear view mirror (internal), Safety glass (tinted), Seat belt 3", Seat -luxury for cab with suspension, Side windows (openable), Wiper with washer (front/rear)



Optional equipment

Steel ballast front (7,720 lb), Steel ballast front + rear (14,550 lb), Air On the Run system, Asphalt temperature meter, Biodegradable hydraulic fluid, Canopy or ROPS/FOPS or Cab, Driving lights (RH or LH), Dyn@link, Dyn@link advanced, Fire extinguisher, First aid box, Heat covers for wheels, Licence plate holder with light, Mirrors (process view), Slow Moving Vehicle sign, Tool set, Towing eyelets front & rear

Find us locally at www.dynapac.us

We reserve the right to change specifications without notice. Photos and illustrations do not always show standard versions of machines. The above information is a general description only, all informations are supplied without liability.