

Dynapac CP1200W

Pneumatic rollers



Technical data



Masses

Operating mass (incl. ROPS)	12,200 lbs
Operating mass (incl. Cab)	12,900 lbs
Mass with max. ballast	26,700 lbs



Propulsion

Transmission	Hydrostatic, direct drive motors at rear tires
Theor. gradeability	30 %
Speed range	0-10 mph



Compaction

Rolling width	82 in
Tire overlap	1.9 in
Wheel loads, without ballast	1,367 lbs
Wheel loads, with max. ballast	2,954 lbs
Tire pressure, min	22 psi
Tire pressure, max	87 psi
Tire type (smooth)	10.5-80, 14 ply
Water spray system, type	Pressurized, electric pump
Water spray system, tank capacity	92 gal
Water spray system, spray nozzle	one per tire
Number of tires	5 front, 4 rear
Wheel oscillation (°)	±3



Engine

Manufacturer/Model	Cummins QSF 2.8 (Stage IIIB/Tier 4final)
Rated power, SAE J1995	74 hp @ 2,200 rpm
Type	Water cooled turbo Diesel
Fuel tank capacity	34 gal
Electrical system	12 V



Engine

Manufacturer/Model	Cummins QSB 2.8 (Stage IIIA/Tier 3)
Rated power, SAE J1995	55 kW (74 hp) @ 2200 rpm
Type	Water cooled turbo Diesel



Hydraulic system

Driving	Axial piston pump with variable displacement. Axial piston motors with constant displacement.
Steering	Gear pump with constant displacement
Service brake	Hydrost. braking on drive wheels (rear)
Parking/ Emergency brake	Spring -applied on drive wheels (rear)

Find us locally at www.dynapac.us

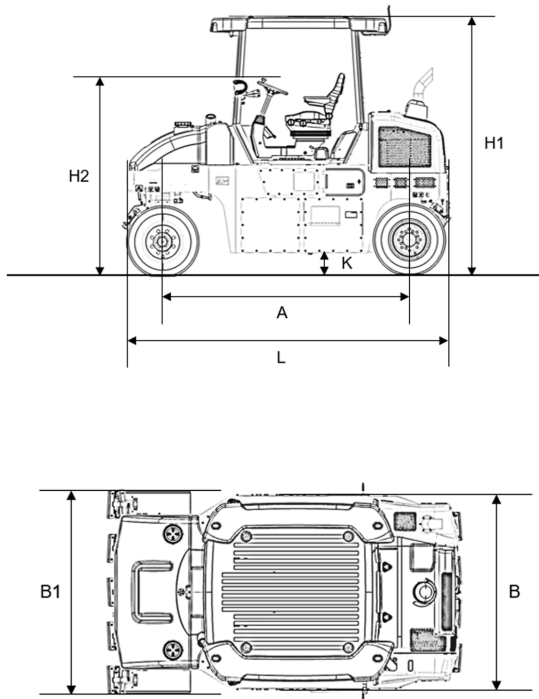
We reserve the right to change specifications without notice. Photos and illustrations do not always show standard versions of machines. The above information is a general description only, all informations are supplied without liability.

Dynapac CP1200W

Pneumatic rollers



Technical data



Dimensions	
A. Wheelbase	109 in
B. Width	81 in
B1. Width	82 in
H1. Height, with ROPS/cab	116 in
H2. Height, w/o ROPS/cab	87 in
K. Ground clearance	10.2 in
L. Length	144 in
R. Turning radius, outside	280 in



Standard equipment

Arm rest, Backup alarm, Battery switch, Cocoa mats, Documentation (Manuals -one set), Emergency stop, Fuel level display, Horn, Hour meter, Hydraulic check points, Hydraulic oil lever indicator, Interloc system, Key master and start, Lifting and tiedown eyes, Mirrors (process view), Mirrors (traffic view), Neutral start arrangement, Parking brake, Pressurized sprinkler system, Rotating beacon, Seat with suspension, Sliding and swiveling operator unit, Speedometer, Sprinkler system, Sprinkler timer, Standard Platform, Tachometer display, Towing eyelet (rear), Warning – Air cleaner, Warning – Brake, Warning – Clogged hydraulic oil filter, Warning – Engine temperature, Warning – Engine oil pressure, Warning – Hydraulic fluid temperature, Warning – Low charge, Warning – Low fuel level, Working lights LED (front/rear)



Optional equipment

Flexible ballast option: 8 steel ballast (7,720 lb/front) or 12 steel ballast (11,690 lb/front & rear), Asphalt temperature meter, Biologically degradable hydraulic oil, Canopy or ROPS/FOPS or Cab incl. ACC, Driving lights (RH or LH), Dyn@link, Dyn@link advanced, Emulsion tank, Fire extinguisher, First aid box, Heat covers for wheels, Radio & MP3 player (Cab), Rotating beacon (LED), Rotating beacon (Ignition Control/LED), Seat belts 3" (ROPS or Cab), Seat luxury (ROPS or Cab), Single scrapers, Slow Moving Vehicle sign, Spare tyre, Sprinkler pump (back up), Tool set, Towing eyelet (front), Vandal cover (Canopy or ROPS/FOPS), Water tank lockable, Working lights (night LED)

Find us locally at www.dynapac.us

We reserve the right to change specifications without notice. Photos and illustrations do not always show standard versions of machines. The above information is a general description only, all informations are supplied without liability.