

Dynapac CO6200 VI

Double drum vibratory/oscillation rollers



Technical data



Masses

Max. operating mass	30,800 lbs
Operating mass (incl. ROPS)	27,300 lbs
Module mass (front/rear)	13,700 lbs/13,700 lbs



Propulsion

Speed range	0-7.5 mph
Vertical oscillation	±7°
Max. theoretical gradeability	32 %



Compaction

Centrifugal force (high/low amplitude)	35,300 lb/23,160 lb
Nominal amplitude (high/low)	0.031 in/0.012 in
Static linear load (front/rear)	163 pli/163 pli
Vibration frequency (high/low amplitude)	3,060 vpm/4,020 vpm
Water tank	224 gal/(277 gal w. opt. watert.)



Compaction (Oscillation)

Oscillation force	34,397.48 lb
Oscillation frequency	2,400.00 vpm
Tangential amplitude	0.06 in



Engine

Manufacturer/Model	Cummins QSF3.8 IV/T4f
Type	Water cooled turbo Diesel with After Cooler
Rated power, SAE J1995	130 hp @ 2,200 rpm
Fuel tank capacity	48 gal
DEF tank capacity	4 gal



Hydraulic system

Driving	Axial piston pump with variable displacement. Radial piston motors (2) with variable displacement.
Vibration	Axial piston pumps (2) with variable displacement. Axial piston motors (2) with constant displacement.
Steering	Gear pump with constant displacement.
Service brake	Hydrostatic in forward and reverse lever.
Parking/Emergency brake	Failsafe multidisc brake in both drums.

Find us locally at www.dynapac.us

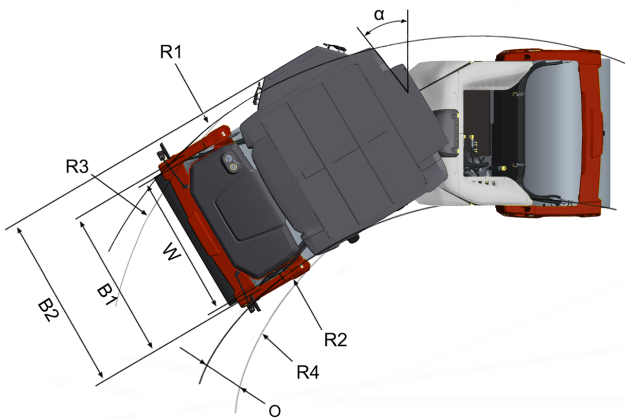
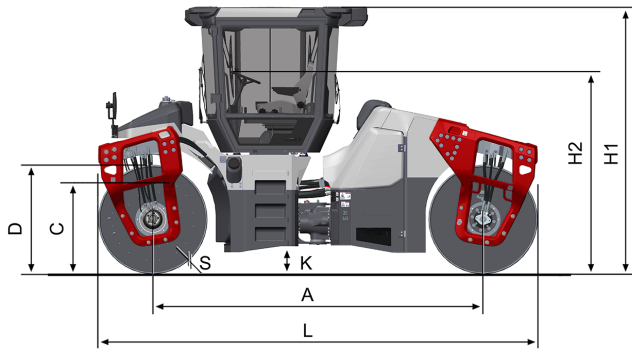
We reserve the right to change specifications without notice. Photos and illustrations do not always show standard versions of machines. The above information is a general description only, all informations are supplied without liability.

Dynapac CO6200 VI

Double drum vibratory/oscillation rollers



Technical data



Dimensions	
A. Wheelbase	148 in
B1. Width, front	93 in
B2. Width, with cab	98 in
C. Curb clearance	32 in
D. Drum diameter	51 in
H. Height, with ROPS/cab	118 in
K. Ground clearance	12 in
L. Length	199 in
R1. Turning radius, outside	295 in
R2. Turning radius, inside	211 in
S. Drum shell thickness	0.79 in
W. Working width	84 in
α . Steering angle	$\pm 32^\circ$

Find us locally at www.dynapac.us

We reserve the right to change specifications without notice. Photos and illustrations do not always show standard versions of machines. The above information is a general description only, all informations are supplied without liability.