

# Dynapac CO4200 VI

## Double drum vibratory/oscillation rollers



### Technical data

Masses	
Max. operating mass	28,775 lbs
Operating mass (incl. ROPS)	21,830 lbs
Module mass (front/rear)	11,025 lbs/10,805 lbs

Propulsion	
Speed range	0-7.5 mph
Vertical oscillation	±7°
Theor. gradeability	40 %

Compaction	
Centrifugal force (high/low amplitude)	28,780 lb/18,880 lb
Nominal amplitude (high/low)	0.031 in/0.012 in
Static linear load (front/rear)	167 pli/167 pli
Vibration frequency (high/low amplitude)	3,060 vpm/4,020 vpm
Water tank	180 gal/(233 gal w. opt. watert.)
Water tank (front drum steering)	195 gal

Compaction (Oscillation)	
Oscillation force	27,450 lb
Oscillation frequency	2,400 vpm
Tangential amplitude	0.06 in

Engine	
Manufacturer/Model	Cummins QSF3.8 IV/T4f
Type	Water cooled turbo Diesel with After Cooler
Rated power, SAE J1995	97 kW (130 hp ) @ 2,200 rpm
Fuel tank capacity	48 gal
DEF tank capacity	4 gal

Hydraulic system	
Driving	Axial piston pump with variable displacement. Radial piston motors (2) with variable displacement.
Vibration	Axial piston pumps (2) with variable displacement. Axial piston motors (2) with constant displacement.
Steering	Gear pump with constant displacement.
Service brake	Hydrostatic in forward and reverse lever.
Parking/Emergency brake	Failsafe multidisc brake in both drums.

Find us locally at [www.dynapac.us](http://www.dynapac.us)

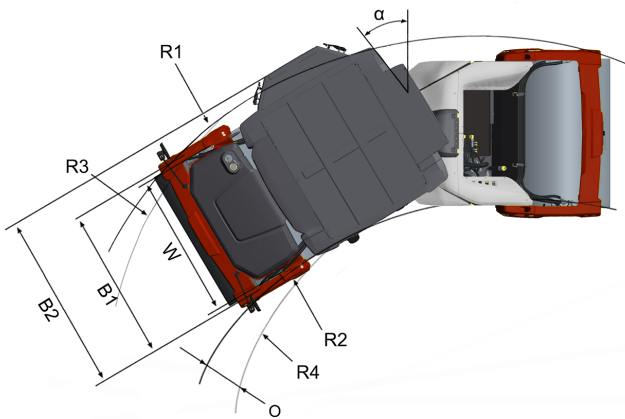
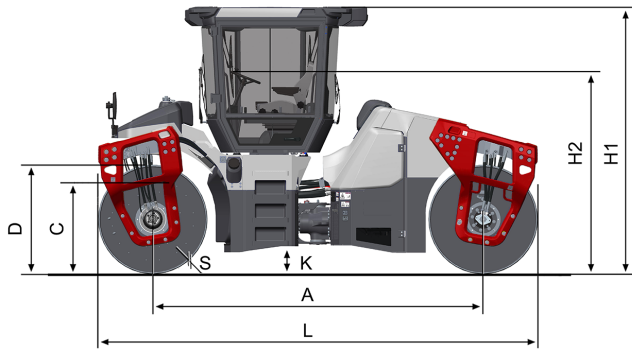
We reserve the right to change specifications without notice. Photos and illustrations do not always show standard versions of machines. The above information is a general description only, all informations are supplied without liability.

# Dynapac CO4200 VI

## Double drum vibratory/oscillation rollers



### Technical data



Dimensions	
A. Wheelbase	148 in
B1. Width, front	75 in
B2. Width, with cab	84 in
C. Curb clearance	32 in
D. Drum diameter	51 in
H. Height, with ROPS/cab	118 in
K. Ground clearance	12 in
L. Length	199 in
O. Off-set	20.5 in
R1. Turning radius, outside	286 in
R2. Turning radius, inside	220 in
R3. Turning radius with off-set, outside	215 in
R4. Turning radius with off-set, inside	149 in
S. Drum shell thickness	0.79 in/0.51 in
W. Working width	66 in
α. Steering angle	±32°

Find us locally at [www.dynapac.us](http://www.dynapac.us)

We reserve the right to change specifications without notice. Photos and illustrations do not always show standard versions of machines. The above information is a general description only, all informations are supplied without liability.