

Dynapac CC3300

Double drum vibratory rollers



Technical data



Masses

Max. operating mass	21,800 lbs
Operating mass (incl. ROPS)	19,800 lbs
Module mass (front/rear)	9,900 lbs/9,900 lbs



Propulsion

Speed range	0-7.5 mph
Vertical oscillation	±7°
Theor. gradeability	35 %



Compaction

Split drums	Yes
Centrifugal force (high/low amplitude)	18,440 lb/16,190 lb
Nominal amplitude (high/low)	0.02 in/0.01 in
Static linear load (front/rear)	146 /146 lbs/in
Vibration frequency (high/low amplitude)	2,880 vpm/4,020 vpm
Water tank	198 gal



Engine

Manufacturer/Model	Deutz TCD 3.6 HT T4f
Type	Water cooled turbo diesel
Rated power, SAE J1995	74 hp @ 2,200 rpm
Fuel tank capacity	34 gal



Hydraulic system

Driving	Axial piston pump with variable displacement Axial piston motors (4) with variable displacement
Vibration	Axial piston pumps (2) with variable displacement Axial piston motors (2) with constant displacement
Steering	Gear pump with constant displacement.
Service brake	Hydrostatic in forward and reverse lever.
Parking/Emergency brake	Failsafe multidisc brake in both drums.

Find us locally at www.dynapac.us

We reserve the right to change specifications without notice. Photos and illustrations do not always show standard versions of machines. The above information is a general description only, all informations are supplied without liability.

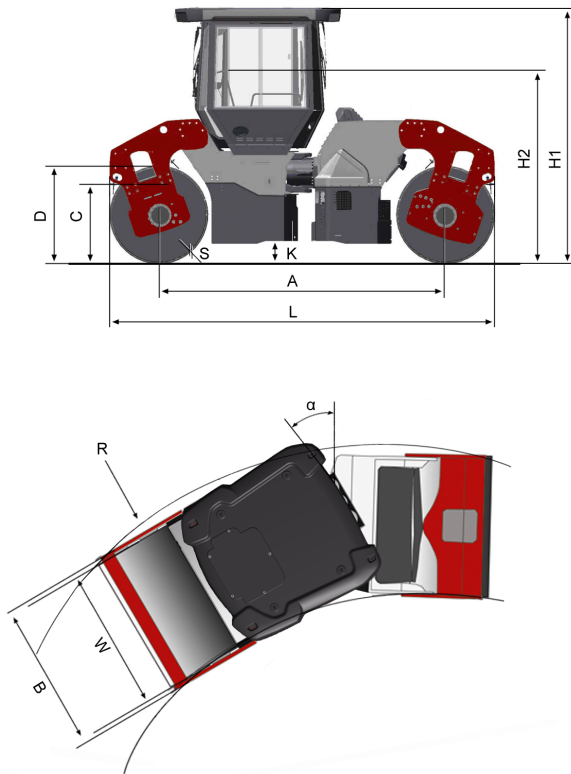
dynapac_cc3300_us-20180419.175739.pdf 2018-04-19 17:57

Dynapac CC3300

Double drum vibratory rollers



Technical data



Dimensions	
A. Wheelbase	131 in
B. Width	73 in
C. Curb clearance	28 in
D. Drum diameter	45 in
H1. Height, with ROPS/cab	118 in
K. Ground clearance	11 in
L. Length	177 in
O. Off-set	13 in
R1. Turning radius, outside	263 in
R2. Turning radius, inside	195 in
R3. Turning radius with off-set, outside	197 in
R4. Turning radius with off-set, inside	129 in
S. Drum shell thickness	0.7 in
W. Drum width	68 in
α. Steering angle	±32°



Standard equipment

- Automatic vibration control (AVC)
- Automatic water control (AWC)
- Back-up alarm
- Display: Engine temp, Fuel level, Frequency/impactometer, Hydr. temp, Speedometer, Tachometer, Voltage, VPM, Water level
- Filters for sprinkler system
- Hydraulic check points
- Lunch box holder
- Operator platform, shock mounted
- Pressurized sprinkler system
- ROPS canopy w/suspension seat & 3" seat belt
- Rotating beacon
- Sliding and swiveling operator's platform
- Spring loaded scrapers
- Sprinkler timer
- Sprinkler system additional (Two bars per drum)
- Steering wheel tilt able
- Vandal cover for instrument panel
- Vibration quick stop
- Vibration shut off front or rear drum
- Warning lights: Air cleaner, Brake, Clogged hyd. fluid filter, Engine oil pressure/temp, Hyd oil temp, Low charge, Low fuel
- Working lights, Rops mounted



Optional equipment

- Asphalt Temp Meter
- Compaction Analyzer
- Drum Edge Lights
- Whisper Cab Package

Find us locally at www.dynapac.us

We reserve the right to change specifications without notice. Photos and illustrations do not always show standard versions of machines. The above information is a general description only, all informations are supplied without liability.

dynapac_cc3300_us-20180419.175739.pdf 2018-04-19 17:57