

# Dynapac CC1400C VI

## Combi rollers



### Technical data



#### Masses

Max. operating mass	10,600 lbs
Operating mass (incl. ROPS)	8,600 lbs
Module mass (front/rear)	4,600 lbs/4,000 lbs



#### Compaction

Wheel load	1003 lbs/wheel
Static linear load	85 lbs/in
Water tank	79 gal
Emulsion tank	6.61 gal



#### Compaction (Single amplitude)

Centrifugal force	9675/7875 lbs
Nominal amplitude	0.02 in
Vibration frequency	3240/2940 vpm



#### Compaction (Optional dual amplitude)

Centrifugal force (high/low amplitude)	9675/4950 lbs
Nominal amplitude (high/low)	0.02/0.008 in
Vibration frequency	3240/3660 vpm



#### Propulsion

Speed range	0-6 mph
Vertical oscillation	±10°
Max. theoretical gradeability	39 %



#### Engine

Manufacturer/Model	Kubota V2403-CR E4B (T4)
Type	Water cooled diesel engine
Rated power, SAE J1995	37 kW (50 hp) @ 2700 rpm
Fuel tank capacity	16 gal



#### Hydraulic system

Driving	Axial piston pump with variable displacement. Radial piston motors with constant displacement
Vibration	Gear pump/motor with constant displacement
Steering	Gear pump with constant displacement.
Service brake	Hydrostatic in forward and reverse lever.
Parking/ Emergency brake	Failsafe multidisc brake on drum and wheels

Find us locally at [www.dynapac.us](http://www.dynapac.us)

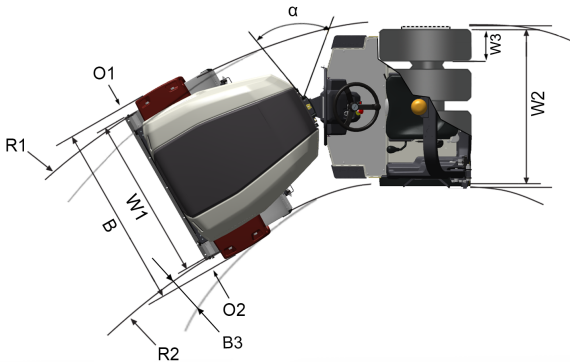
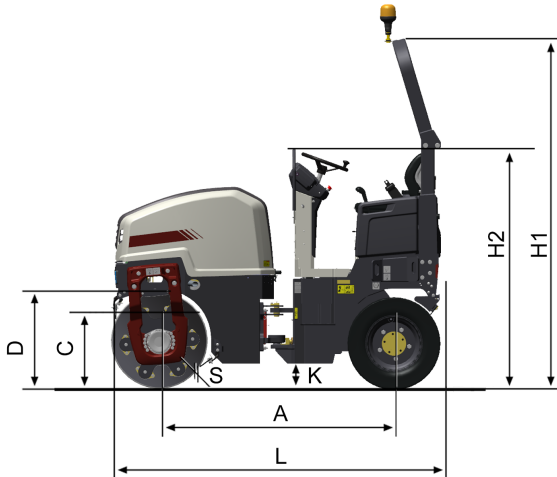
We reserve the right to change specifications without notice. Photos and illustrations do not always show standard versions of machines. The above information is a general description only, all informations are supplied without liability.

# Dynapac CC1400C VI

## Combi rollers



### Technical data



Dimensions	
A. Wheelbase	78 in
B. Width	59 in
B3. Width, offset	2 in
C. Curb clearance	27 in
D. Drum diameter	35 in
H1. Height, with ROPS/cab	112 in
H2. Height, w/o ROPS/cab	80 in
K. Ground clearance	7.5 in
L. Length	111 in
O. Off-set	1.95 in
O1. Overhang, right	2.45 in
O2. Overhang, left	2.45 in
R1. Turning radius, outside	172 in
R2. Turning radius, inside	118 in
S. Drum shell thickness	0.67 in
W1. Drum width	54 in
W2. Width, wheel module	50 in
W3. Width, tire	11.2 in
$\alpha$ . Steering angle	$\pm 30^\circ$

Find us locally at [www.dynapac.us](http://www.dynapac.us)

We reserve the right to change specifications without notice. Photos and illustrations do not always show standard versions of machines. The above information is a general description only, all informations are supplied without liability.