

Dynapac CC1200 VI

Double drum vibratory rollers



Technical data



Masses

Max. operating mass	7,500 lbs
Operating mass (incl. ROPS)	5,700 lbs
Module mass (front/rear)	2,700 lbs/3,000 lbs



Compaction

Centrifugal force	7,600/6,500 lb
Nominal amplitude	0.020 in
Static linear load (front/rear)	58 /64 lbs/in
Vibration frequency	3,960/3,660 vpm
Water tank	54 gal



Propulsion

Speed range	0-6 mph
Vertical oscillation	±10°
Max. theoretical gradeability	42 %



Engine

Manufacturer/Model	Kubota D1703-DI (T4/V)
Type	Water cooled diesel engine
Rated power, SAE J1995	18.5 kW (25 hp) @ 2200 rpm
Fuel tank capacity	12 gal



Engine

Manufacturer/Model	Kubota D1803-CR (T4/V)
Type	Water cooled diesel engine
Rated power, SAE J1995	28 kW (37,5 hp) @ 2700 rpm



Hydraulic system

Driving	Axial piston pump with variable displacement. Radial piston motors (2) with constant displacement.
Vibration	Gear pump/motors with constant displacement.
Steering	Gear pump with constant displacement.
Service brake	Hydrostatic in forward and reverse lever.
Parking/Emergency brake	Failsafe multidisc brake in both drums.

Find us locally at www.dynapac.us

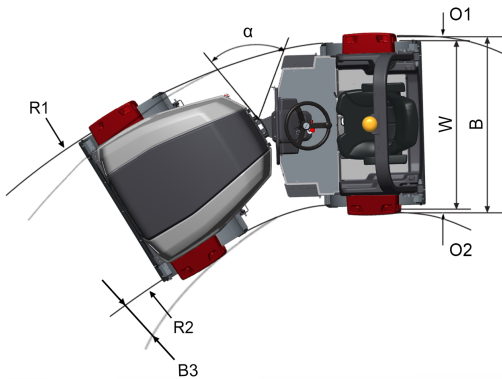
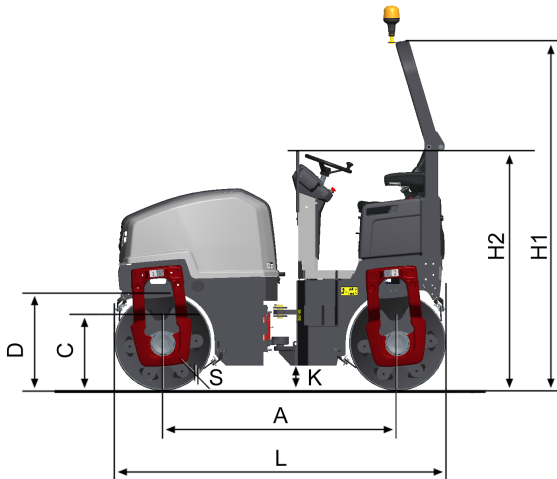
We reserve the right to change specifications without notice. Photos and illustrations do not always show standard versions of machines.
The above information is a general description only, all informations are supplied without liability.

Dynapac CC1200 VI

Double drum vibratory rollers



Technical data



Dimensions	
A. Wheelbase	67.0 in
B. Width	52.8 in
B3. Width, offset	2 in
C. Curb clearance	21.8 in
D. Drum diameter	27.6 in
H1. Height, with ROPS/cab	100.0 in
H2. Height, w/o ROPS/cab	68.7 in
K. Ground clearance	7.1 in
L. Length	94.5 in
O1. Overhang, right	2.8 in
O2. Overhang, left	2.8 in
R1. Turning radius, outside	148.4 in
R2. Turning radius, inside	101.2 in
S. Drum shell thickness	0.5 in
W. Working width	47.2 in
α . Steering angle	$\pm 30^\circ$

Find us locally at www.dynapac.us

We reserve the right to change specifications without notice. Photos and illustrations do not always show standard versions of machines. The above information is a general description only, all informations are supplied without liability.