



Dynapac CC1100C VI


Combi rollers





Technical data


 Masses	
Max. operating mass	6,600 lbs
Operating mass (incl. ROPS)	4,900 lbs
Module mass (front/rear)	2,500 lbs/2,400 lbs

 Compaction	
Wheel load	591 lbs/wheel
Tire type (smooth)	640x240-15.6
Centrifugal force	6525/5625 lbs
Nominal amplitude	0.020 in
Static linear load	60 lbs/in
Vibration frequency	3960/3660 vpm
Water tank	49 gal
Emulsion tank	5.28 gal

 Propulsion	
Speed range	0-6 mph
Vertical oscillation	±10°
Max. theoretical gradeability	71 %

 Engine	
Model	Kubota D1703-DI (T4/V)
Type	Water cooled diesel engine
Rated power, SAE J1995	18.5 kW (25 hp) @ 2,200 rpm
Fuel tank capacity	12 gal

 Engine	
Model	Kubota D1803-CR (T4/V)
Type	Water cooled diesel engine
Rated power, SAE J1995	28 kW (37.5 hp) @ 2,700 rpm

 Hydraulic system	
Driving	Axial piston pump with variable displacement. Radial piston motors with constant displacement.
Vibration	Gear pump/motors with constant displacement.
Steering	Gear pump with constant displacement.
Service brake	Hydrostatic in forward and reverse lever.
Parking/ Emergency brake	Failsafe multidisc brake on drum and wheels.

Find us locally at www.dynapac.us

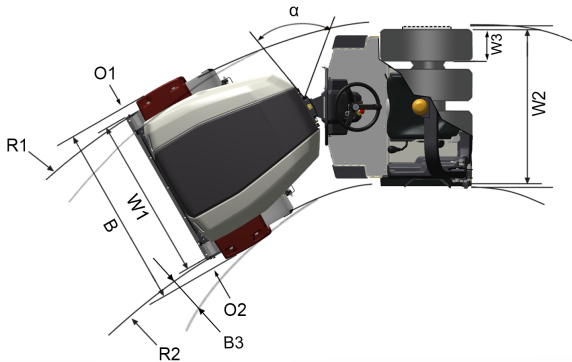
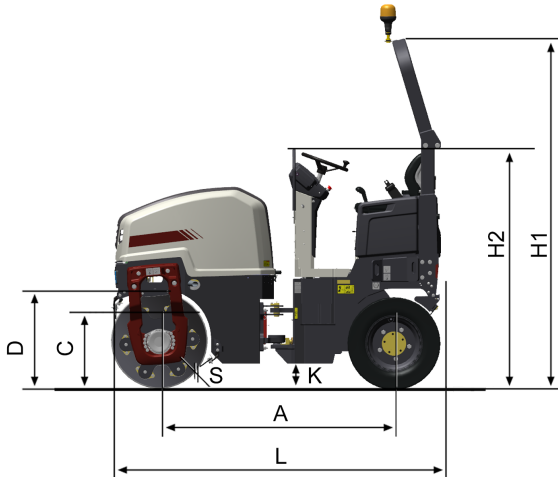
We reserve the right to change specifications without notice. Photos and illustrations do not always show standard versions of machines.
The above information is a general description only, all informations are supplied without liability.

Dynapac CC1100C VI

Combi rollers



Technical data



Dimensions	
A. Wheelbase	67 in
B. Width	53 in
B3. Width, offset	2 in
C. Curb clearance	22 in
D. Drum diameter	28 in
H1. Height, with ROPS	100 in
H2. Height, w/o ROPS/cab	69 in
K. Ground clearance	7 in
L. Length	94 in
O1. Overhang, right	3 in
O2. Overhang, left	3 in
R1. Turning radius, outside	12 ft
R2. Turning radius, inside	9 ft
S. Drum shell thickness	0.5 in
W1. Drum width	42 in
W2. Width, wheel module	41 in
W3. Width, tire	9.2 in
α . Steering angle	$\pm 30^\circ$

Find us locally at www.dynapac.us

We reserve the right to change specifications without notice. Photos and illustrations do not always show standard versions of machines. The above information is a general description only, all informations are supplied without liability.