

# Dynapac CA3500PD

Single drum vibratory rollers



## Technical data



### Masses

Operating mass (incl. ROPS)	26,200 lbs
Operating mass (incl. Cab)	26,500 lbs
Module mass (front/rear)	16,800 lbs/9,700 lbs
Max. operating mass	27,300 lbs



### Dimensions

Drum width	84 in
------------	-------



### Propulsion

Speed range	3-7 (mph)
Vertical oscillation	±9°
Tire size (8 ply)	23.1 x 26 TR
Max. theoretical gradeability	57 %
Number of pads	130
Pad height	4 in
Pad area	22.6 in <sup>2</sup>



### Compaction

Nominal amplitude (high/low)	0.071 in/0.039 in
Centrifugal force (high/low amplitude)	58,450 lb/33,720 lb
Vibration frequency (high/low amplitude) SEISMIC available (values for manual mode)	1,800 vpm /1,800 vpm



### Engine

Manufacturer/Model	Cummins QSB3.8 (IV/T4final)
Type	Water cooled turbo Diesel
Rated power, SAE J1995	97 kW (130 hp) @ 2,200 rpm
Fuel tank capacity	67 gal
DEF tank capacity	5 gal



### Engine

Manufacturer/Model	Cummins F3.8 (V)
Type	Water cooled turbo Diesel
Rated power, SAE J1995	100 kW (135 hp) @ 2200 rpm



### Engine

Manufacturer/Model	Cummins QSB4.5 (IIIA/3)
Type	Water cooled turbo Diesel
Rated power, SAE J1995	97 kW (130 hp) @ 2,200 rpm



### Hydraulic system

Driving	Hydrostatic
Vibration	Hydrostatic
Steering	Hydrostatic
Service brake	Hydrostatic in forward and reverse lever.
Parking/Emergency brake	Failsafe multidisc brake in drum gear box and in rear axle.

Find us locally at [www.dynapac.us](http://www.dynapac.us)

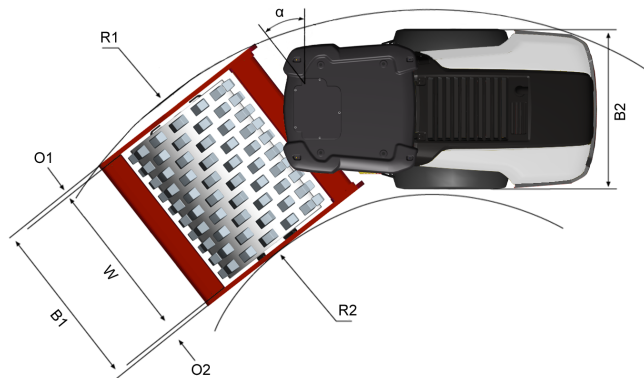
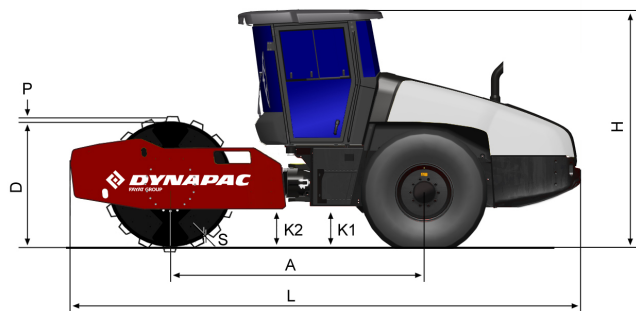
We reserve the right to change specifications without notice. Photos and illustrations do not always show standard versions of machines. The above information is a general description only, all informations are supplied without liability.

# Dynapac CA3500PD

## Single drum vibratory rollers



### Technical data



Dimensions	
A. Wheelbase	118 in
B1. Width, front	91 in
B2. Width, rear	84 in
D. Drum diameter	59 in
H1. Height, with ROPS/cab	117 in
H2. Height, w/o ROPS/cab	84 in
K1. Ground clearance	18 in
K2. Curb clearance	18 in
L. Length	236 in
O1. Overhang, right	3 in
O2. Overhang, left	3 in
P. Pad height	4 in
R1. Turning radius, outside	18 ft
R2. Turning radius, inside	11 ft
S. Drum shell thickness	0.98 in
W. Working width	84 in
α. Steering angle	±38°



### Standard equipment

- 24V outlet socket, operator's platform
- AntiSpin drive system
- Automatic vibration control
- Back up alarm
- Brake release
- Comfort Cab or ROPS/FOPS
- Cross Mounted Engine
- Combi cooler with Hydraulically driven fan
- Display: Engine temp, Fuel level, Hydr. temp, Speedometer, Tachometer, Voltage
- ECO mode
- Emergency stop
- Filler cap inside lockable hood
- Hydraulic checkpoints
- Parking brake
- Rear axle, No-Spin
- **Seismic with Compaction Meter including Active Bouncing Control**
- Shock mounted platform
- Steering wheel, adjustable
- Suspension seat, swivelling
- Storage Compartment
- Vandal cover
- Warning lights: Air cleaner, Brake, Clogged hyd. fluid filter, Engine oil pressure/temp, Hyd oil temp, Low charge, Low fuel
- 1m X 1m Visibility
- Zero spill oil & coolant change

Find us locally at [www.dynapac.us](http://www.dynapac.us)

We reserve the right to change specifications without notice. Photos and illustrations do not always show standard versions of machines. The above information is a general description only, all informations are supplied without liability.



## Optional equipment

### **Air Conditioning /Automatic Climate Control (ACC) (Optional)**

- The system contains fluorinated greenhouse gases.
- Coolant designation: HFC-134a
- Coolant weight when full: 1,35 kg
- CO<sub>2</sub>-equivalent: 1,930 ton
- GWP: 1430

Find us locally at [www.dynapac.us](http://www.dynapac.us)

We reserve the right to change specifications without notice. Photos and illustrations do not always show standard versions of machines.  
The above information is a general description only, all informations are supplied without liability.