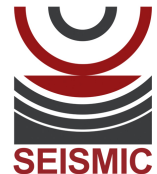



Dynapac CA1500PD


Single drum vibratory rollers





Technical data


 Masses	
Operating mass (incl. ROPS)	15,500 lbs
Operating mass (incl. Cab)	15,900 lbs
Module mass (front/rear)	7,750/7,750 lbs
Max. operating mass	17,000 lbs


 Dimensions	
Drum shell thickness	0.67 in


 Propulsion	
Speed range	8 /12 /12 km/h
Tire size (8 ply)	14.9 x 24 TL
Max. theoretical gradeability	55 %
Vertical oscillation	±9°
Number of pads	132
Pad area	13.0 in ²
Pad height	3 in

 Compaction	
Nominal amplitude (high/low)	0.071 in/0.031 in
Vibration frequency (high/low amplitude) SEISMIC available (values for manual mode)	32 Hz /36 Hz
Centrifugal force (high/low amplitude)	29,900 lb/16,190 lb

 Engine	
Manufacturer/Model	Cummins QSB3.3 (IIIA/T3)
Type	Water cooled turbo Diesel
Rated power, ISO 14396	55 kW (75 hp) @ 2200 rpm
Fuel tank capacity	50 gal

 Engine	
Manufacturer/Model	Deutz TD3.6 L04 (IIIB/T4)
Type	Water cooled turbo Diesel
Rated power, ISO 14396	55 kW (75 hp) @ 2,200 rpm
Fuel tank capacity	50.20 gal

 Engine	
Manufacturer/Model	Cummins QSB3.3 (IIIA/T3)
Type	Water cooled turbo Diesel
Rated power, SAE J1995	82 kW (110 hp) @ 2200 rpm

 Hydraulic system	
Driving	Hydrostatic
Vibration	Hydrostatic
Steering	Hydrostatic
Service brake	Hydrostatic in forward and reverse lever.
Parking/Emergency brake	Failsafe multidisc brake in drum gear box and in rear axle.

Find us locally at www.dynapac.us

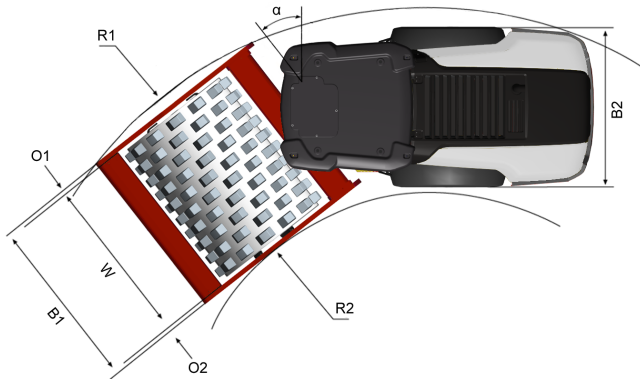
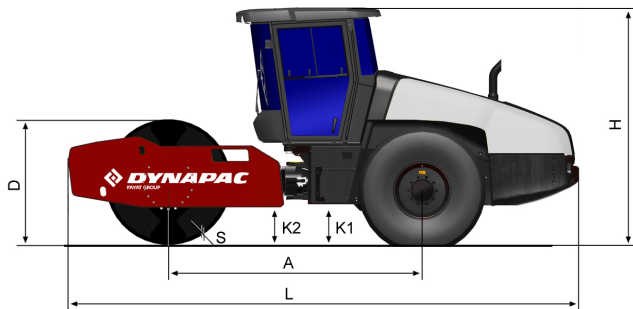
We reserve the right to change specifications without notice. Photos and illustrations do not always show standard versions of machines. The above information is a general description only, all informations are supplied without liability.

Dynapac CA1500PD

Single drum vibratory rollers



Technical data



Dimensions	
A. Wheelbase	106 in
B1. Width, front	73 in
B2. Width, rear	67 in
D. Drum diameter	48 in
H. Height, with ROPS/cab	107 in
K1. Ground clearance	13 in
K2. Curb clearance	14 in
L. Length	207.87 in
O1. Overhang, right	4 in
O2. Overhang, left	4 in
P. Pad height	4 in
R1. Turning radius, outside	16 ft
R2. Turning radius, inside	10 ft
S. Drum shell thickness	0.67 in
W. Working width	66 in
α. Steering angle	±38°



Standard equipment

- 24V outlet socket, operator's platform
- AntiSpin drive system
- Automatic vibration control
- Back up alarm
- Brake release
- Cab or ROPS/FOPS
- Cross Mounted Engine
- Combi cooler with Hydraulically driven fan
- Display: Engine temp, Fuel level, Hydr. temp, Speedometer, Tachometer, Voltage
- ECO mode
- Emergency stop
- Filler cap inside lockable hood
- Hydraulic checkpoints
- Parking brake
- Rear axle, No-Spin
- **Seismic with Compaction Meter including Active Bouncing Control**
- Shock mounted platform
- Steering wheel, adjustable
- Suspension seat, swivelling
- Storage Compartment
- Vandal cover
- Warning lights: Air cleaner, Brake, Clogged hyd. fluid filter, Engine oil pressure/temp, Hyd oil temp, Low charge, Low fuel
- 1m X 1m Visibility
- Zero spill oil & coolant change



Optional equipment

Air Conditioning /Automatic Climate Control (ACC) (Optional)

- The system contains fluorinated greenhouse gases.
- Coolant designation: HFC-134a
- Coolant weight when full: 1,35 kg
- CO₂-equivalent: 1,930 ton
- GWP: 1430

Find us locally at www.dynapac.us

We reserve the right to change specifications without notice. Photos and illustrations do not always show standard versions of machines. The above information is a general description only, all informations are supplied without liability.