

Dynapac CA1400PD

Single drum vibratory rollers



Technical data



Masses

Operating mass (incl. ROPS)	14,350 lbs
Operating mass (incl. Cab)	14,700 lbs
Module mass (front/rear)	7,500/6,850 lbs
Max. operating mass	15,500 lbs



Propulsion

Speed range	0-6.2 mph
Tire size (16 ply)	400/60-22.5 flotation
Max. theoretical gradeability	50 %
Vertical oscillation	±9°
Number of pads	132
Pad area	13 in ²
Pad height	3 in



Compaction

Static linear load	112 lbs/in
Nominal amplitude (high/low)	0.062/0.031 in
Vibration frequency (high/low amplitude)	1,920/1,920 vpm
Centrifugal force (high/low amplitude)	25,600/12,400 lbf



Engine

Manufacturer/Model	Kubota V 3307 CR-TE4 (Stage IIIB/T4f)
Type	Water cooled turbo Diesel
Rated power, SAE J1995	55 kW (75 hp) @ 2200 rpm
Fuel tank capacity	31 gal



Engine

Manufacturer/Model	Kubota V 3307 CR-TE5 (Stage V)
Type	Water cooled turbo Diesel
Rated power, SAE J1995	55 kW (75 hp) @ 2200 rpm
Fuel tank capacity	31 gal



Hydraulic system

Driving	Hydrostatic with a traction pump supplying two parallel connected motors, one on rear axle and one on drum.
Vibration	Hydrostatic with a vibration pump supplying a motor connected to the eccentric axle generating the vibrations.
Steering	Mechanical-hydraulic with steering valve supplying the steering cylinder. Steering angle is proportional to steering wheel.
Service brake	Hydrostatic in forward and reverse lever.
Parking/Emergency brake	Failsafe multidisc brake in rear axle and front drum motor.

Find us locally at www.dynapac.us

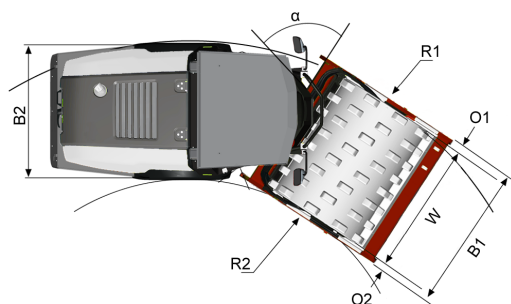
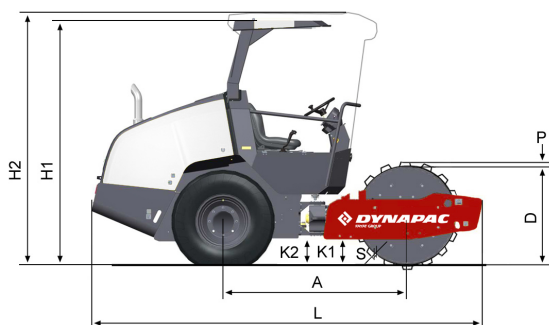
We reserve the right to change specifications without notice. Photos and illustrations do not always show standard versions of machines. The above information is a general description only, all informations are supplied without liability.

Dynapac CA1400PD

Single drum vibratory rollers



Technical data



Dimensions	
A. Wheelbase	87 in
B1. Width, front	73 in
B2. Width, rear	60 in
D. Drum diameter	48 in
H1. Height, with ROPS/cab	107 in
H2. Height, max.	107 in
K1. Ground clearance	14 in
K2. Curb clearance	14 in
L. Length	177 in
O1. Overhang, right	3 3/4 in
O2. Overhang, left	3 3/4 in
P. Pad height	3 in
R1. Turning radius, outside	180 in
R2. Turning radius, inside	114 in
S. Drum shell thickness	0.67 in
W. Working width	66 in
α . Steering angle	$\pm 33^\circ$

Find us locally at www.dynapac.us

We reserve the right to change specifications without notice. Photos and illustrations do not always show standard versions of machines. The above information is a general description only, all informations are supplied without liability.