

**Superior
Broom**



**“Superior Quality
& Performance!”**



CAB VISIBILITY

Operators have clear viewing of brush and road surface for safe operation.



BRUSH ROCK DEFLECTOR

Deflects rocks, sand & asphalt down at a lower level.

OPTIONAL BRUSH SIDE SHIFT

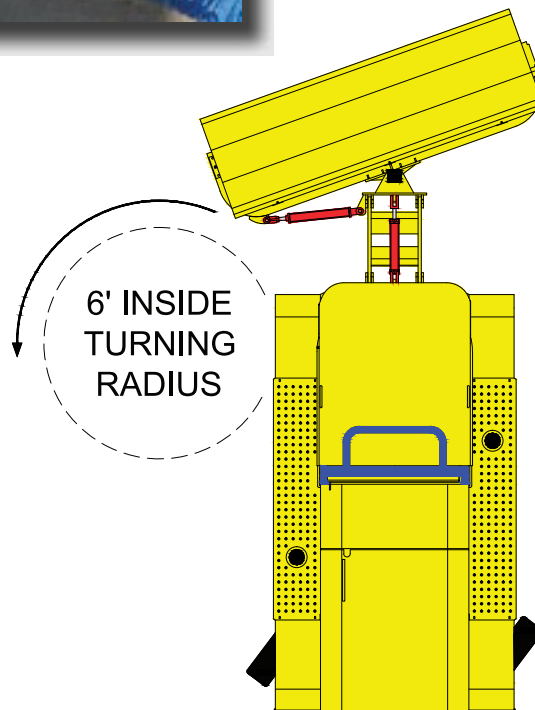
Side shifting brush allows operator to sweep outside front tires to reach areas 12" to 18" away from machine body.

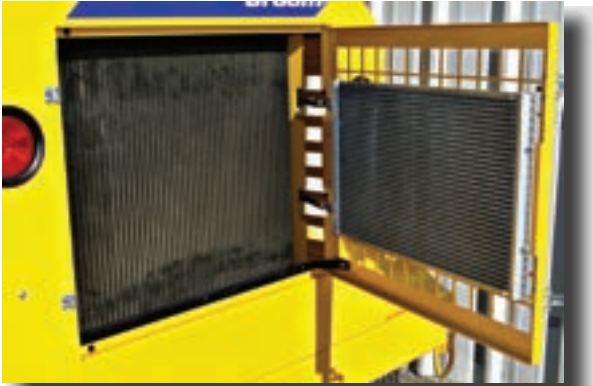


Front view of side shift

TURNING RADIUS

SM74 Superior Brooms incorporate rear steering allowing sweeper to change directions in one lane and maneuver tight corners for more efficient sweeping.





SWING OUT ACCESS DOOR

Standard swing out door for easy cleaning and maintenance of your radiator, oil cooler & A/C condenser are vital to dependable operation. Superior Broom makes it easy to keep your coolers clean.



ENGINE ACCESS DOORS

Maintenance made easy with extra wide access doors on right & left side are standard equipment. Optional vandal locks available.



CONTROL CONSOLE

Electric joystick brush control, brush down pressure control valve, full gauge package with tachometer, oil & water gauge, volt meter, fuel gauge and sealed rocker switches with red indicator lights.



TRAVEL CONTROL

Dual hydrostatic foot control pedals for more responsive control and operator comfort of travel speed.



BRUSH CHANGE

Brush changing made easy with the standard 96" one piece poly coreless tube brush. Hinged brush cover lifts for easy access making change time in just minutes. Our exclusive coned alignment brush motor makes installation easy & fast.





Specifications:

Engine:

John Deere Diesel 4.5 liter (276 cid)
74 hp, turbo charged, Tier 4 Final

Caterpillar Diesel 3.4 liter (208 cid)
74 HP, turbo charged, Tier 4 Final

FPT Diesel 3.4 liter (208 cid)
74 HP, turbo charged, Stage 5

Dimensions:

Weight - 6,500 lbs.
Height - 91 inches
Length - 200 inches
Width - 100 inches (transport)
Turning Radius - 6 feet (inside)

Chassis:

Heavy duty 1/4" x 3" x 6" rectangular tubing with 2" x 6" tubing rear bumper, 5/8" plate steel front support

Steering:

Orbital hydraulic power steering

Hydraulic Tank:

22 gallon

Fuel Tank:

30 gallon

Front Axle:

3/4 ton heavy duty semi-float

Rear Axle:

Rear steer heavy duty

Wheels:

Four - 6 bolt (15" x 6") steel spoke

Tires:

ST225/75R15 load range D radial

Brakes:

Four wheel hydraulic brakes

Standard Equipment Includes:

2-Speed hydrostatic transmission
Low range 0 to 10 mph
High range 0 to 20 mph
Dual transmission foot controls
8 Foot poly quick change tube brush
Sweeping angle 35 degrees
Sweeping width 96"
Dual element air cleaner
Extended air cleaner stack
150 gallon water system
Hydraulic brush pressure gauge
Float controller
Safety engine shutdown system
Brush speed control
Brush shield rubber rock deflector

Controls & Accessories:

Padded suspension seat
Enclosed cab w/wiper & washer - 80 dba noise level
Pressurized air conditioning - 35,000 BTU
Heater & defroster fan
West coast mirrors w/convex mirrors
Light group
Strobe light

Available Options:

2-door cab	12 volt mid back air ride suspension seat
Tilt & telescoping steering column	LT235/85R16 10 ply tires
Brush side shift	LED light group package
Rear window wiper & washer	16" LED amber light bar
AM/FM stereo	4 LED cab flat mounted strobe lights
Rear work lights	Back up camera & color display screen
Emergency brake safety system	8' 1/2 poly & 1/2 wire wafer brush
Audible engine alarm	8' 1/2 poly & 1/2 wire coreless tub brush
Block heater	8' poly wafer brush
Hydraulic temperature gauge	8' poly strip brush
Spare tire	
Vandal package	
Reversing brush	
HEPA cab filter	

3707 W. McCormick
Wichita, KS 67213
Ph: 316.941.9591
Fax: 316.942.5672