

# SHEAREX

A GRYB COMPANY

2023

**CATALOG**



**LAND CLEARING**



**FORESTRY**



# SHEAREX

A GRYB COMPANY

## OUR PURPOSE

To be the leading manufacturer of shears, mulchers, pulverizers and other hydraulic equipment through ground-breaking engineering and customer-centric service.

Our mission derives from our purpose: to fundamentally transform the forestry, land clearing and demolition industry into a customer-driven experience, fueled through the needs and challenges of the global market. We want to provide you with the best equipment and support you through all your challenges!

# GRYB

INTERNATIONAL





**FORESTRY**

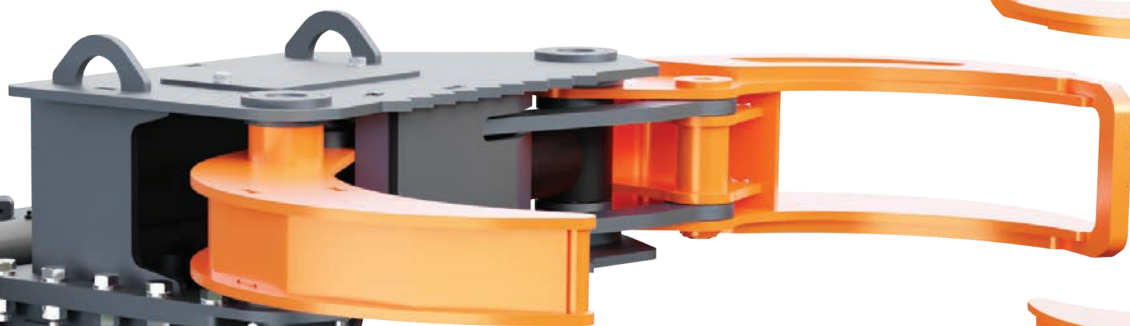


30 M

LONGUS  
⚠️

# TREE SHEAR

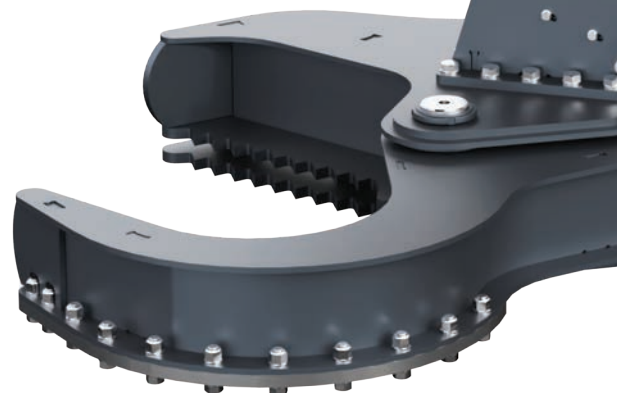
FTS SERIES



EASY  
MAINTENANCE



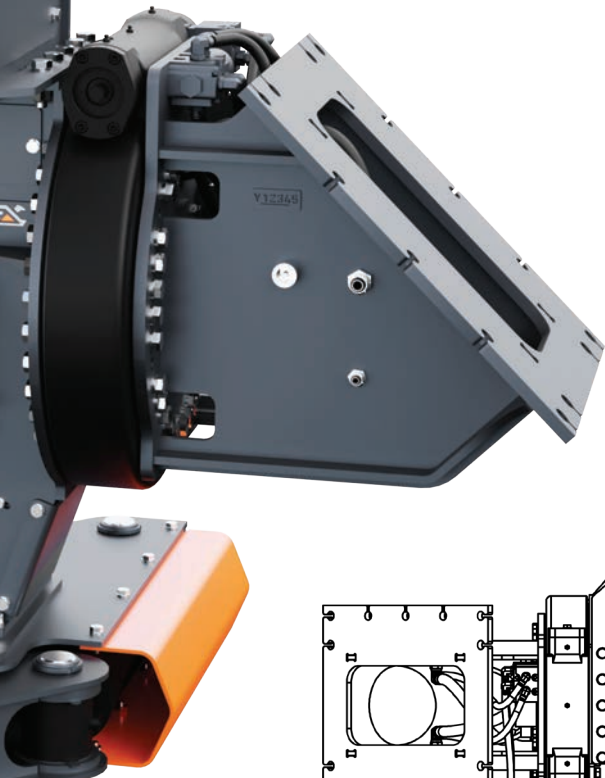
OPTIONAL  
ACCUMULATOR



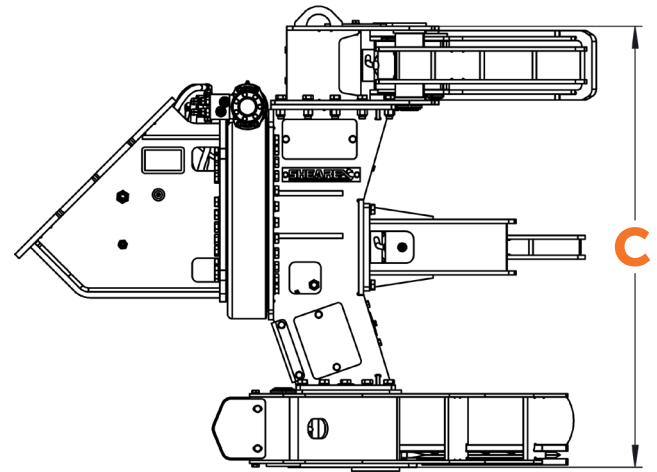
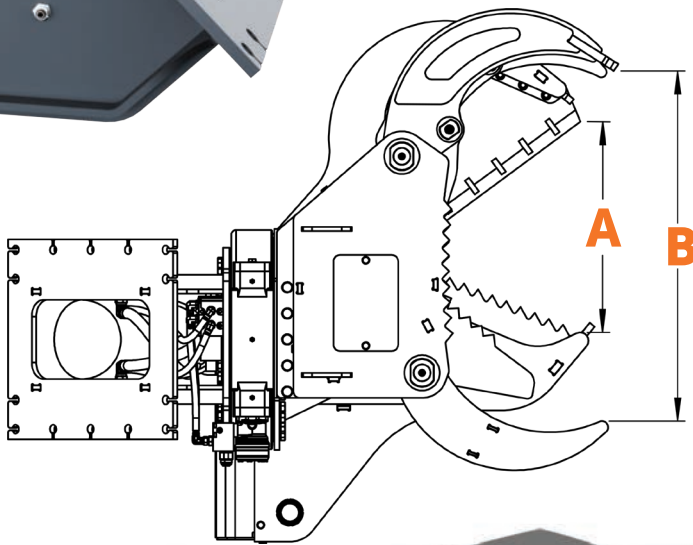
POWERFUL  
GRIP & CUT



360 DEGREES OF POWERFUL  
**ROTATION**



PROTECTED  
**CYLINDERS**



IDEAL FOR  
**FORESTRY**

Rapidly cut and move whole trees for other specialised units to transport and process. The Shearex tree shear is an effective and easy way to jumpstart your forestry production output.

# SPECIFICATIONS

*\*Weight does not include rotation and accumulator.  
This information is subject to change without notice.*

	Carrier	lbs (kg) Weight	in (mm) <b>A</b> Opening	in (mm) <b>B</b> Grappling	in (mm) <b>C</b> Height	(t) Force	PSI (bar) Pressure	gpm (L/min) Hyd. Flow
<b>FTS05</b>	3t-7t	750 (341)*	35 (889)	35 (889)	22.99 (584)	11	3,191 (220)	13-15 (50-60)
<b>FTS07</b>	5t-9t	950 (431)*	35 (889)	35 (889)	23.98 (609)	11	3,191 (220)	13-15 (50-60)
<b>FTS12</b>	8t-14t	1,300 (590)*	17.99 (457)	33.46 (850)	47.01 (1,194)	16	3,626 (250)	15-21 (60-80)
<b>FTS16</b>	12t-18t	2,420 (1,100)*	25 (635)	42.99 (1,092)	55.98 (1,422)	37	4,351 (300)	21-26 (80-100)
<b>FTS20</b>	16t-24t	3,960 (1,800)*	29.5 (749)	42.99 (1,092)	67.99 (1,727)	45	4,351 (300)	34-40 (130-150)
<b>FTS25</b>	21t-35t	4,620 (2,100)*	33.5 (850)	58.98 (1,498)	72.99 (1,854)	51	4,351 (300)	40-48 (150-180)

# WOOD CONE SPLITTER

FWS SERIES

**1** YEAR  
**WARRANTY**



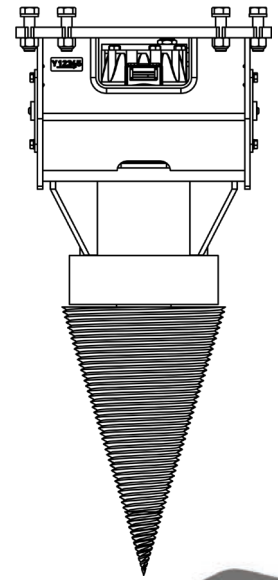
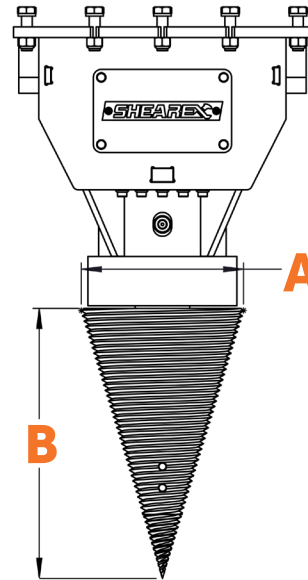
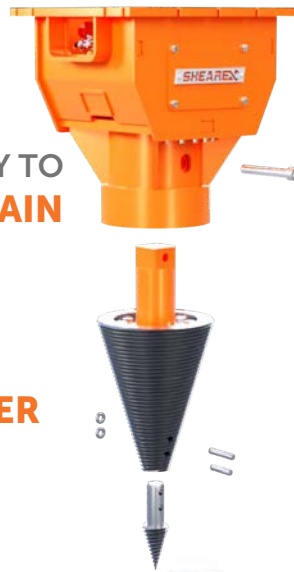
IDEAL FOR  
**FORESTRY**

Split your logs with power and ease. The wood cone splitter quickly handles large workloads.



EASY TO  
**MAINTAIN**

IMPRESSIVE  
**SPLITTING POWER**



## SPECIFICATIONS

		<b>A</b>	<b>B</b>				
	Carrier	lbs (kg) Weight	in (mm) Diameter	in (mm) Height	PSI (bar) Pressure	gpm (L/min) Hyd. Flow	lbs-ft (Nw) Torque
<b>FWS09</b>	3.0t-9t	700 (318)	13.5 (343)	22 (559)	5,000 (350)	10-25 (38-100)	11,400 (15500)
<b>FWS30</b>	10t-30t	1,650 (750)	15.5 (394)	25 (635)	5,000 (350)	20-50 (75-190)	11,400 (15500)

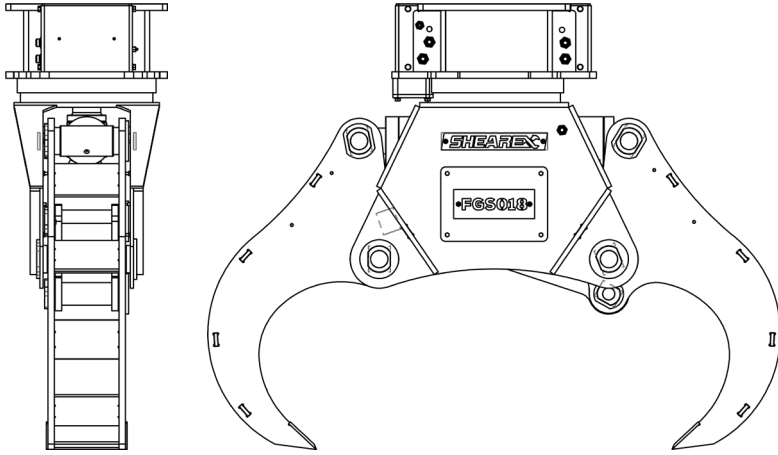
*This information is subject to change without notice.*



# LOG SPLITTER GRAPPLE

FGS SERIES

**1** YEAR  
WARRANTY



IDEAL FOR  
**FORESTRY**

Maximize your logging operations with this log splitter grapple by handling and splitting your logs at the same time.

## SPECIFICATIONS

	Carrier	lbs (kg) Weight	in (mm) Opening	in (mm) Width	in (mm) Depth	PSI (bar) Pressure	(t) Force
<b>FGS005</b>	3t-5t	450 (204)	24 (610)	6 (152)	12 (305)	4,640 (320)	10
<b>FGS007</b>	6t-8t	670 (304)	32 (812)	8 (203)	18 (458)	4,650 (320)	15
<b>FGS012</b>	9t-13t	1,154 (524)	41.25 (1,048)	10 (254)	20 (508)	4,650 (320)	25
<b>FGS018</b>	14t-21t	2,122 (964)	54.5 (1,385)	12 (305)	28 (711)	5,000 (350)	35
<b>FGS025</b>	22t-30t	4,410 (2,000)	71 (1,803)	16 (406)	35 (889)	5,000 (350)	50

*This information is subject to change without notice.*



**DANGER**  
STAND CLEAR 300

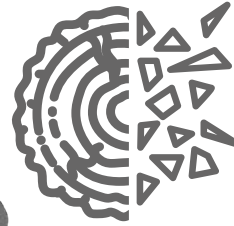
**SHEARER**  
NP-2018



# LAND CLEARING

# SHEAREX MULCHERS

HM AND VM SERIES



IDEAL FOR  
**LAND CLEARING**

The ultimate tool for fast and efficient roadside maintenance, invasive species removal, land clearing, and underbrush maintenance.



## ROADSIDE MAINTENANCE

The power and speed to clear the sides of any hunting lanes, trails, roads or highways.



## FOREST FIRE PREVENTION

Cutting firebreaks can be a safe and efficient way to limit the spread of forest fires.



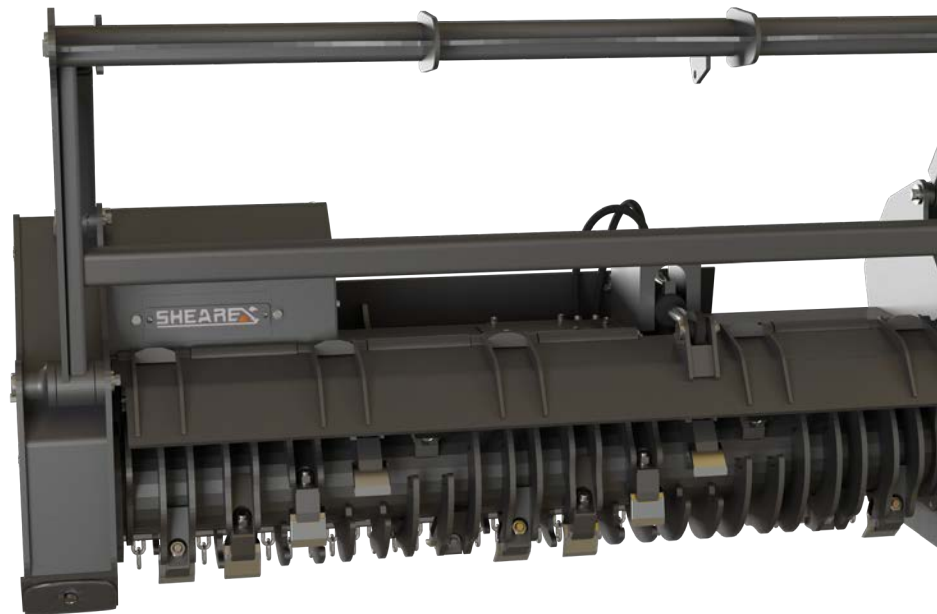
## INFRASTRUCTURE

A mulcher can easily manage new roads to maintain a right-of-way under electrical lines.



## LAND MANAGEMENT

Most efficient tool to cut underbrush and keep your private property accessible.



## INTUITIVE AND PRECISE **ELECTRONIC CONTROLS**

With SMART ECR™, you will always be notified of potential mulcher/system errors. We monitor major hydraulic temp. and rotor speed.

## BLADE ANGLE OPTIMISED **FOR A PERFECT CUT**

Our new blade and blade mount design allows for greater durability and cutting power. The rotor maintains its power throughout the blade's lives.

## FAST AND EASY **MAINTENANCE**

Sharpen knives twice a day, grease bearings, check your hydraulics and you are done! We include a handheld sharpener and two batteries.



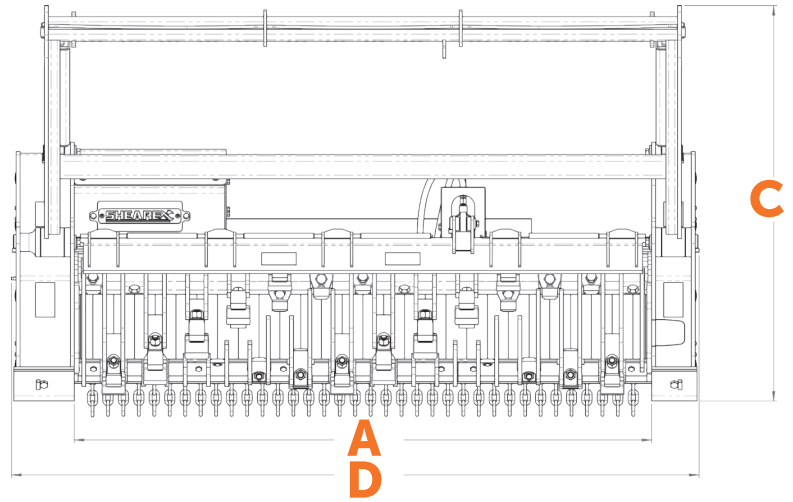
## PROTECTION SYSTEM **CONVEX DX™**

The protection system is made out of four types of fins that limit the amount of material cut with each pass and concentrates smaller material toward the center of the blades.



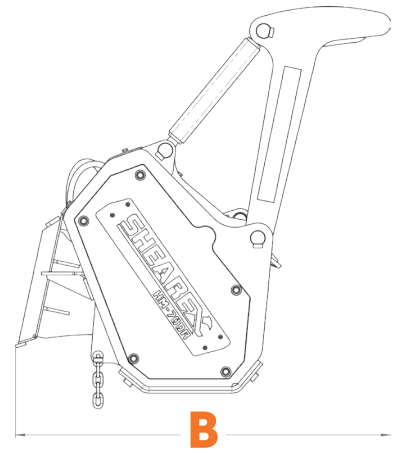
# FRONT-MOUNT MULCHER

HM SERIES



A  
D

C



B



# SPECIFICATIONS

		HM-60SR	HM-70SR	HM-70DR	HM-70SV	HM-90SV	HM-100SX2
<b>Recommended min. carrier power</b>	<b>kW (hp)</b>	50 (68)	55 (74)	55 (74)	95 (125)	127 (170)	190 (250)
<b>Cutting width</b>	<b>cm (in)</b>	149 (58.625)	190 (74.75)	190 (74.75)	190 (74.75)	230 (90.75)	254 (100)
<b>Cutting distance from ground level</b>	<b>cm (in)</b>	2 (0.8)	2 (0.8)	2 (0.8)	2 (0.8)	2 (0.8)	2 (0.8)
<b>Number of blades on rotor</b>		21	27	27	24	33	36
<b>Optimal target material diameter</b>	<b>cm (in)</b>	15 (6)	20 (8)	20 (8)	25 (10)	40 (15)	60 (24)
<b>Exterior length</b>	<b>cm (in)</b>	125 (49.25)	125 (49.25)	126 (49.625)	122 (48.125)	118 (46.5)	118 (46.5)
<b>Exterior height</b>	<b>cm (in)</b>	129 (50.625)	129 (50.625)	130 (51.25)	133.5 (52.5)	134 (52.625)	134 (52.625)
<b>Exterior width</b>	<b>cm (in)</b>	183 (72.063)	226 (89)	225 (88.5)	228.25 (90)	269 (106)	299.25 (118)
<b>Rotor diameter</b>	<b>cm (in)</b>	45 (17.625)	45 (17.625)	45 (17.625)	50 (20)	50 (20)	50 (20)
<b>Approximate weight</b>	<b>kg (lbs)</b>	1,043 (2,300)	1,361 (3,000)	1,490 (3,285)	1,624 (3,580)	1,938 (4,272)	2,311 (5,094)
<b>Hydraulics</b>							
<b>Variable displacement axial piston motor</b>	<b>cc</b>	80	110	110	160	160	2 x 110
<b>Min. required continous flow</b>	<b>l/min (gal/min)</b>	87 (23)	133 (33)	133 (33)	178 (47)	178 (47)	242 (64)
<b>Max. operating pressure</b>	<b>bar (psi)</b>	410 (6,000)	410 (6,000)	410 (6,000)	410 (6,000)	410 (6,000)	410 (6,000)
<b>Rotating speed</b>	<b>rpm</b>	2,600	2,600	2,600	2,500	2,300	2,300
<b>Pressure line I.D.</b>	<b># (in)</b>	#12 (0.75)	#16 (1)	#16 (1)	#16 (1)	#16 (1)	#20 (1.25)
<b>Return line I.D.</b>	<b># (in)</b>	#12 (0.75)	#16 (1)	#16 (1)	#16 (1)	#16 (1)	#20 (1.25)
<b>Drain line I.D.</b>	<b># (in)</b>	#10 (0.625)	#10 (0.625)	#10 (0.625)	#10 (0.625)	#10 (0.625)	#16 (1)
<b>Features</b>							
<b>Bolt-on liner</b>		Included	Included	Included	Included	Included	Included
<b>Hydraulic pushbar</b>		Optional	Optional	Optional	Optional	Optional	Optional
<b>Front Deflector</b>		N/A	N/A	Included	N/A	N/A	N/A
<b>Electronic controls</b>		Optional	Optional	Optional	Optional	Optional	Optional

*This information is subject to change without notice.*

# EXCAVATOR MULCHER

VM SERIES

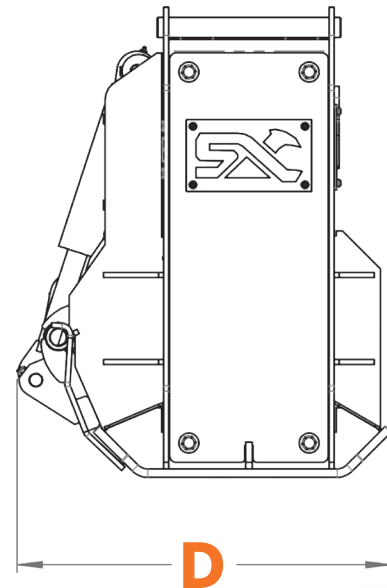
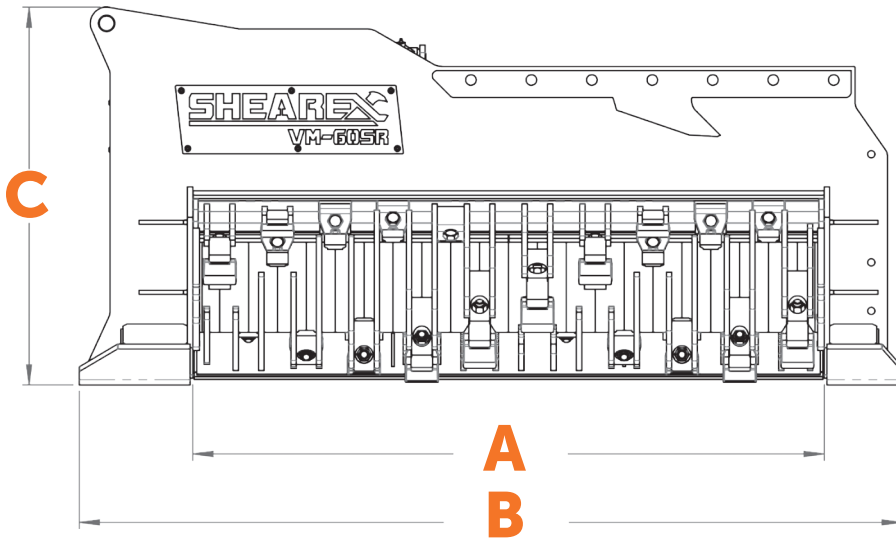


**1** YEAR  
WARRANTY



## OPTIONAL BACK GRAPPLE

Move and sort through smaller material or pile them up for greater mulching control.





# SPECIFICATIONS

## VM-25SK VM-35SK VM-40SL VM-50SR VM-60SR VM-65SV

<b>Excavator size</b>	<b>t (lbs)</b>	5 to 8 (11,000 to 18,000)	8 to 12 (18,000 to 26,000)	12 to 15 (26,000 to 33,000)	15 to 20 (33,000 to 44,000)	20 to 25 (44,000 to 55,000)	25 to 40 (55,000 to 88,000)
<b>Recommended min. carrier power</b>	<b>kW (hp)</b>	37 (50)	40 (54)	48 (65)	59 (80)	96 (130)	127 (170)
<b>Cutting width</b>	<b>cm (in)</b>	64 (25)	89 (35)	102 (40)	117 (46)	145 (57)	157 (62)
<b>Cutting distance from ground level</b>	<b>cm (in)</b>	0.64 (0.25)	0.64 (0.25)	0.64 (0.25)	0.64 (0.25)	0.64 (0.25)	0.64 (0.25)
<b>Number of blades on rotor</b>		9	13	14	17	21	21
<b>Optimal target material diameter</b>	<b>cm (in)</b>	<10 (<4)	10 (4)	15 (6)	25 (10)	40 (15)	50 (20)
<b>Exterior length</b>	<b>cm (in)</b>	104 (41)	127 (50)	140 (57)	168 (66)	195 (77)	226 (89)
<b>Exterior height</b>	<b>cm (in)</b>	77 (30.5)	77 (30.5)	85 (33.5)	89 (35)	89 (35)	107 (42)
<b>Exterior width</b>	<b>cm (in)</b>	58 (23)	58 (23)	71 (28)	71 (28)	71 (28)	79 (31)
<b>Rotor diameter</b>	<b>cm (in)</b>	38 (15.15)	38 (15.15)	41 (16)	45 (17.7)	45 (17.7)	50 (19.7)
<b>Approximate weight</b>	<b>kg (lbs)</b>	499 (1,100)	593 (1,307)	757 (1,668)	975 (2,150)	1,231 (2,714)	1,678 (3,750)
<b>Hydraulics</b>							
<b>Variable displacement axial piston motor</b>	<b>cc</b>	28	60	80	110	110	160
<b>Min. required continous flow</b>	<b>l/min (gal/min)</b>	49 (13)	91 (24)	114 (30)	159 (42)	159 (42)	193 (51)
<b>Max. operating pressure</b>	<b>bar (psi)</b>	410 (6,000)	410 (6,000)	410 (6,000)	410 (6,000)	410 (6,000)	410 (6,000)
<b>Rotating speed</b>	<b>rpm</b>	3,800	3,800	3,500	3,000	3,000	2,500
<b>Pulley ratio</b>		1:2:1	1:1	1:1	1:2:1	1:2:1	1:2:1
<b>Pressure line I.D.</b>	<b># (in)</b>	#12 (0.75)	#12 (0.75)	#16 (1)	#16 (1)	#16 (1)	#16 (1)
<b>Return line I.D.</b>	<b># (in)</b>	#12 (0.75)	#12 (0.75)	#16 (1)	#16 (1)	#16 (1)	#20 (1.25)
<b>Drain line I.D.</b>	<b># (in)</b>	#8 (0.5)	#8 (0.5)	#10 (0.625)	#12 (0.75)	#12 (0.75)	#12 (0.75)
<b>Features</b>							
<b>Tilting system</b>		Optional	Optional	Optional	Optional	Optional	Optional
<b>Bolt-on wear liner</b>		N/A	N/A	Included	Included	Included	Included
<b>Grappling hook</b>		N/A	Optional	Optional	Optional	Optional	Optional
<b>Electronic controls</b>		N/A	N/A	Optional	Optional	Optional	Optional

*This Information subject to change without notice.*

# HARVESTER SHEAR

FHS SERIES



LOW  
MAINTENANCE

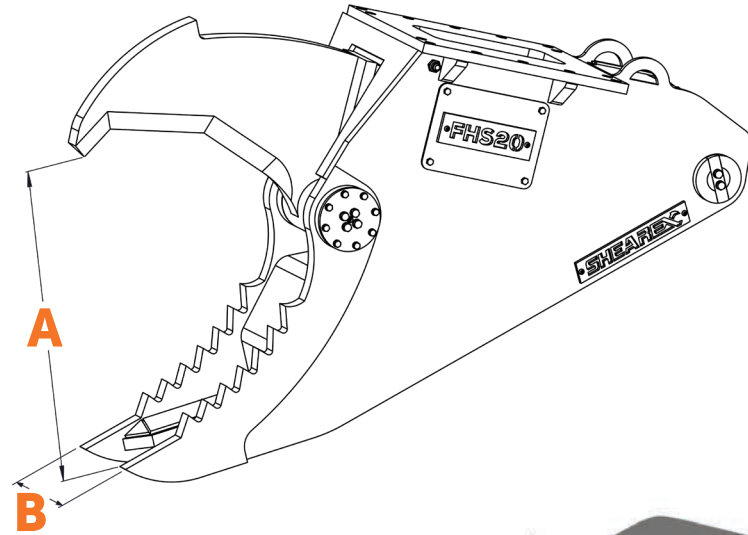
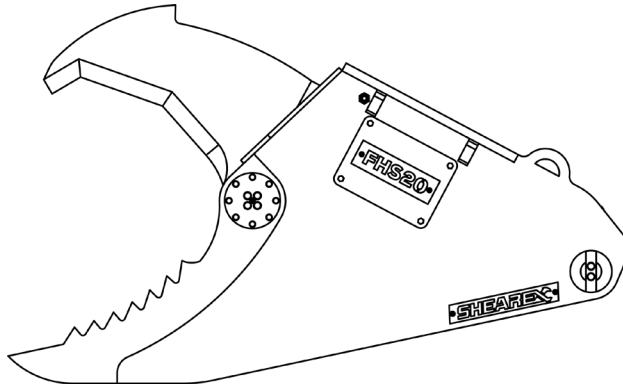
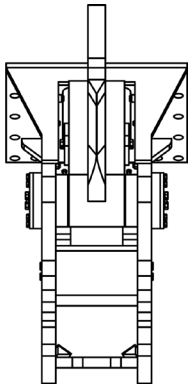
EXTREME  
CUTTING FORCE

HIGH-QUALITY  
STEEL



IDEAL FOR  
LAND CLEARING

Finish your land clearing jobs more thoroughly by uprooting and cutting roots, stumps, and biomass beyond the reach of your other land clearing tools.



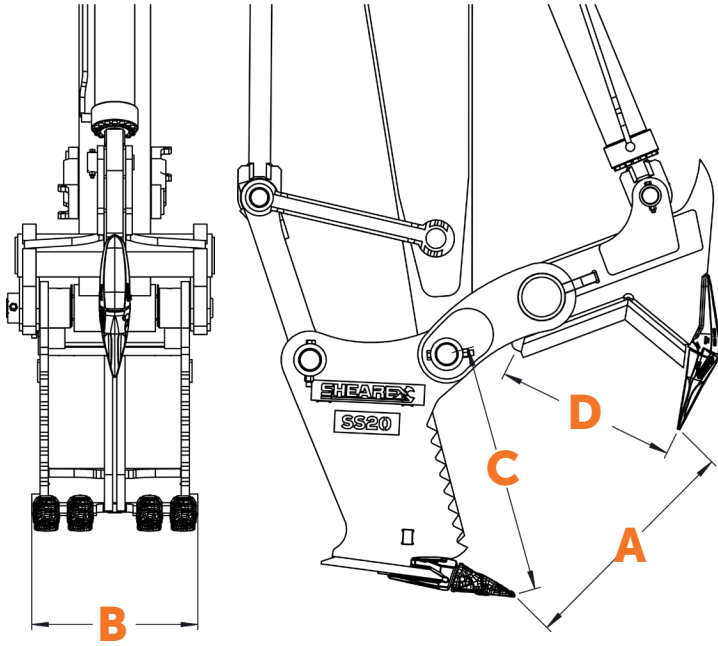
## SPECIFICATIONS

	Carrier	lbs (kg) Weight	in (mm) <b>A</b> Opening	in (mm) <b>B</b> Width	in (mm) Depth	PSI (bar) Pressure	(t) Force
<b>FHS20</b>	15t-25t	2,680 (1,218)	39 (990)	15.75 (400)	28 (711)	5,000 (350)	30
<b>FHS30</b>	25t-35t	4,640 (2,110)	55 (1,400)	18.00 (457)	37 (940)	5,000 (350)	45

*This information is subject to change without notice.*

# STUMP SHEAR

SS SERIES



## SPECIFICATIONS

	Carrier	lbs (kg) Weight	in (mm) <b>A</b> Opening	in (mm) <b>B</b> Width	in (mm) <b>C</b> Tip Radius	in (mm) <b>D</b> Cut Length
<b>SS16</b>	12t-16t	2,315 (1,050)	52 (1,321)	22 (559)	32 (813)	21 (533)
<b>SS16M</b>	12t-16t	2,315 (1,050)	52 (1,321)	22 (559)	32 (813)	21 (533)
<b>SS20</b>	15t-24t	2,811 (1,275)	58 (1,473)	25 (635)	34 (864)	24 (610)
<b>SS20M</b>	15t-24t	2,811 (1,275)	58 (1,473)	25 (635)	34 (864)	24 (610)
<b>SS27</b>	18t-25t	3,858 (1,750)	64 (1,626)	30 (762)	42 (1,067)	30 (762)
<b>SS27M</b>	18t-25t	3,858 (1,750)	64 (1,626)	30 (762)	42 (1,067)	30 (762)
<b>SS30</b>	25t-38t	5,512 (2,500)	68 (1,727)	30 (762)	43 (1,092)	31 (787)
<b>SS30M</b>	25t-38t	5,512 (2,500)	68 (1,727)	30 (762)	43 (1,092)	31 (787)
<b>SS40</b>	30t-50t	7,716 (3,500)	72 (1,828)	32 (813)	48 (1,219)	34 (864)

*This information is subject to change without notice.*



Forestry ▲ Land Clearing  
**JOIN THE REVOLUTION**

shearex.ca ▲ 579-213-0350 ▲ marketing@shearex.ca