

R5

Date of printing 10/18/2023

Technical data

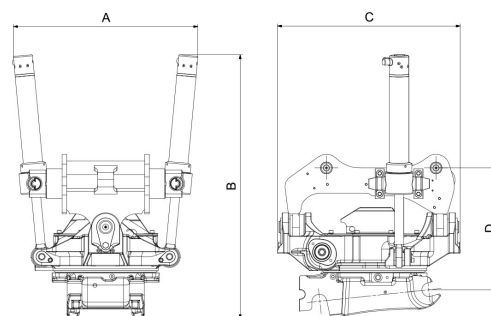
NOTE: The photo shows a general example of the product.

| | |
|--|------------------------|
| Machine weight, max | 30865 - 41890 lb |
| Max bucket width | 67 in |
| Max breakout force | 31475 lbf |
| Max breakout torque | 147510 ft.lb |
| Weight (from) | 1146 lb |
| Tilt angle (2x) | 40° |
| Rotation speed (1 rotation per) | 7.0 s at 19 gpm |
| Working pressure | 3626 psi |
| Max return line pressure | 290 psi at 26 gpm |
| Min hydraulic flow | 31.96 gpm |
| Number of lubrication points | 6 |
| Turning torque | 7044 ft.lb at 3626 psi |
| Tilt torque single-acting cylinders | 22790 ft.lb |
| Tilt torque double acting cylinders | 33265 ft.lb |



Dimensions

| Dimension A, Width | Dimension B, Installation height total | Dimension C, Length | Dimension D, Installation height |
|---------------------------|---|----------------------------|---|
| 31,5 in | 45,28 in | 31,5 in | 20,87 in |



The products in the photos may have additional accessories and features. Technical data and weights may vary depending on the configuration and equipment. We reserve the right to change specifications or designs without prior notice and assume no responsibility for any actual errors that may occur. There may be variations in product programs and equipment standards between the markets. For more information concerning current product specifications, local adaptations and special equipment, please contact your nearest sales office.