

Builtrite™, Stationary Electric Material Handlers have proven themselves in a number of waste and scrap handling applications, capable of handling a wide variety of materials. With a wide array of options, boom configurations and attachments available, let Builtrite design a material handler to maximize production at your facility. Stationary Electric Material Handlers are much less expensive to operate (**less than 50%**), safer, quieter and don't produce emissions like diesel powered, mobile equipment. Maintenance costs are also less and the power unit can be remotely located where it is not subjected to dusty conditions, further reducing maintenance costs.



Model 40-SE with 18' Material Handling Boom. Operator's platform is attached to tower. Power Unit is remote.



Model 40-SE with remote power unit, working inside of building, loading baler with non-ferrous materials.

Features and Specifications:

Lift Capacity (Less attachment)

- 3,600 Lbs. (1,636 Kg.) @ 10' (3M) R
- 2,400 Lbs. (1,090 Kg.) @ 15' (4.57M) R
- 1,800 Lbs. (1,136 Kg.) @ 18.5' (5.6M) R

Boom Data

- Horizontal Reach = 18.5' (5.6M)
- Reinforced Structural tubing , high yield steel construction.
- 2.5" (63mm) boom pivot, 2" (51mm) jib & main boom lift cylinder pin.
- Aluminum bronze bushings at all boom pivot points.

Boom Cylinders

- One (1) 5" x 24" x 2.5" rod-Main boom cylinder
- One (1) 5" x 24" x 2.5" rod-Jib boom cylinder
- Double acting heavy wall, honed steel tubing, with cushioned stops
- Cylinders have wear rings on pistons and glands
- Heat treated cylinder rods with heavy chrome plating

Swing System

- Standard, non-continuous rotation with a 20" (576mm) diameter turntable bearing, powered by dual swing motors. Continuous rotation optional.

Control Deck

- Central control console with instrumentation and start/stop controls.
- Foot or hand operated swing control.

Power Source

- One (1) 30 HP 460 Volt 3 Phase, Totally Enclosed, Fan Cooled (T.E.F.C.) electric motor. The Model 40-SE utilizes approximately 12-16 Kilowatts per hour, depending upon the application.

Electrical Package

- Starter, phase sequence monitor, control accessories group are all in Nema 4 enclosure. Start/stop controls on control console. Electric slip ring when continuous rotation is required. Main breaker base or power unit mounted.

Pedestal Base

- 18" (457mm) high pedestal base with inspection port hole.

Hydraulic System

- 75 Gallon (284L) hydraulic reservoir with suction and return filters, stack type control valves with main relief and safety port relief for boom function.
- One triple gear pump.
- Hydraulic oil cooler. 1HP motor drives fan and AC compressor.
- Shutoff valves, heavy walled tubing & multi-wire hose throughout system.
- 1750 PSI (120 Bar) operating system.

Miscellaneous

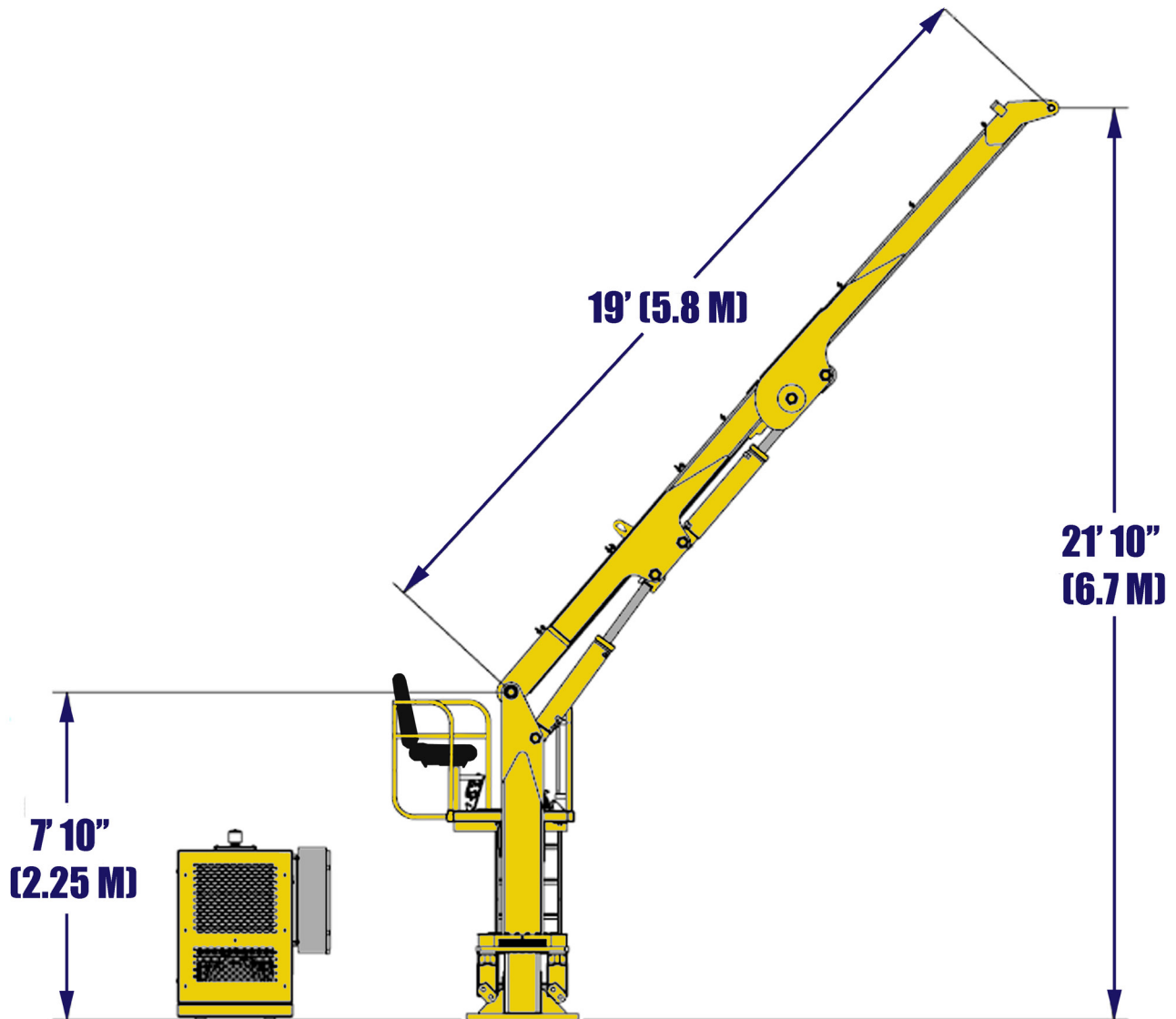
- Hydraulic Tank Filled.
- Unit greased and tested prior to shipment.
- Manual, centralized grease system. Optional, Auto Lube System available.

Options / Accessories

- Remote operator controls and remote power unit options.
- Special grapples.
- Visual warning system.
- Continuous rotation option with auxiliary pass electrical collector.



Model 40-SE Hydraulic Power Unit



BUILTRITE MANUFACTURING RESERVES THE RIGHT TO CHANGE SPECIFICATIONS AND PRICES WITHOUT NOTICE IN ORDER TO FOLLOW ITS POLICY OF CONSTANTLY STRIVING TO MANUFACTURE A BETTER PRODUCT WITHOUT INCURRING ANY LIABILITY TO PROVIDE THESE NEW FEATURES ON ANY UNITS PREVIOUSLY MANUFACTURED.

Builtrite Manufacturing, Inc.

530 Recycle Center Drive, Two Harbors, Minnesota, U.S.A. 55616

Web: www.builtritehandlers.com **E-Mail:** info@builtritehandlers.com **Phone:** 218-834-5555 **Fax:** 218-834-5556