

## Magnet Rotator

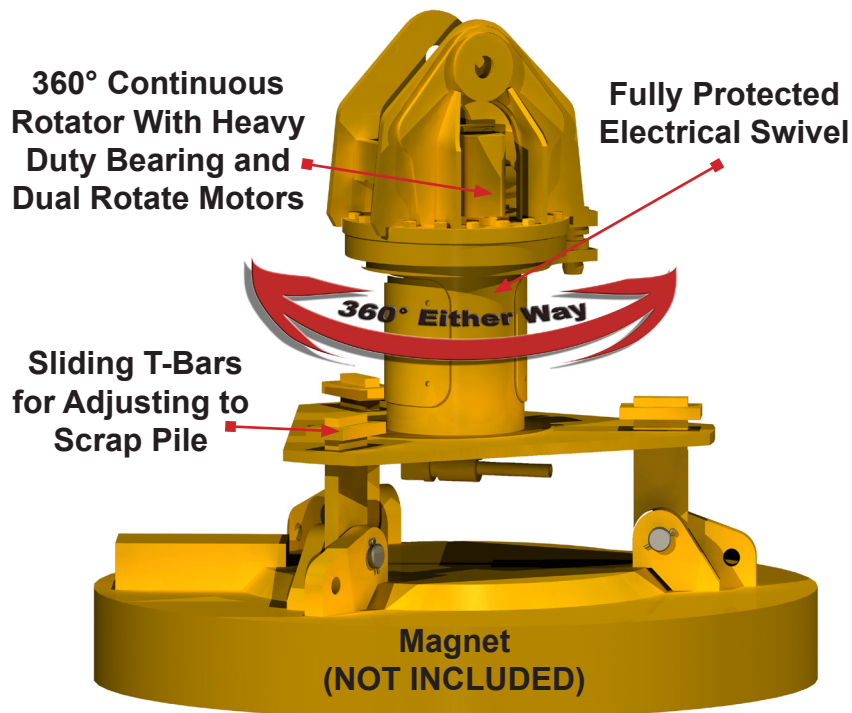
MR 360°

The **Builtrite™ Magnet Rotator** is designed to significantly increase your production by allowing the operator to rotate the load, particularly useful when handling longer items like railroad rail, beam, pipe, etc. This unit makes stacking much more efficient and compact, taking less room in your yard. Meanwhile, trucks can be unloaded and loaded much more efficiently.

Key features include:

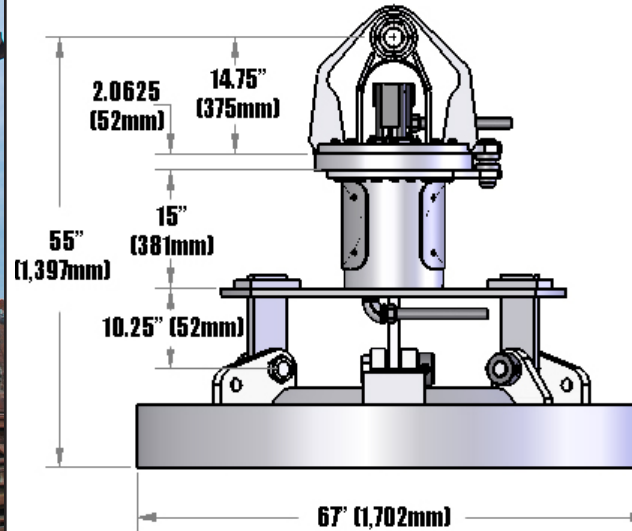
- 360° continuous rotation, using a heavy duty bearing. Our rotators are designed for the specific carrier they are mounted to, providing long life with minimal maintenance requirements.
- Heavy duty electrical swivel, fully encased in a cylindrical housing with easy access.
- The electrical line is protected between the bottom plate and magnet.
- Designed to accommodate most makes and models of magnets.

If you're looking to significantly increase your productivity, look no further...make it a **Builtrite™**.



# Magnet Rotator Specifications

Model	Weight (without connector)	
	Lbs.	Kg.
MR 360	1,075	489



*"We handle and process a large volume of rail, beam and skeletal plate. My Builtrite magnet rotators allow me to unload trucks safely and efficiently. It also allows us to stack these materials in a neat fashion, optimizing space. It has increased overall efficiency, in my estimation, by 30-40% with the added benefits of reducing operator fatigue, magnet wear and machine wear. This product is a must have for those handling similar items."*

Steve Kenigsberg, Simko, Inc.  
Superior, Wisconsin



BUILTRITE MANUFACTURING RESERVES THE RIGHT TO CHANGE SPECIFICATIONS AND PRICES WITHOUT NOTICE IN ORDER TO FOLLOW ITS POLICY OF CONSTANTLY STRIVING TO MANUFACTURE A BETTER PRODUCT WITHOUT INCURRING ANY LIABILITY TO PROVIDE THESE NEW FEATURES ON ANY UNITS PREVIOUSLY MANUFACTURED.

## **Builtrite Manufacturing**

530 Recycle Center Drive, Two Harbors, Minnesota, U.S.A. 55616

Web: [www.builtritehandlers.com](http://www.builtritehandlers.com) E-Mail: [info@builtritehandlers.com](mailto:info@builtritehandlers.com) Phone: 218-834-5555 Fax: 218-834-5556