

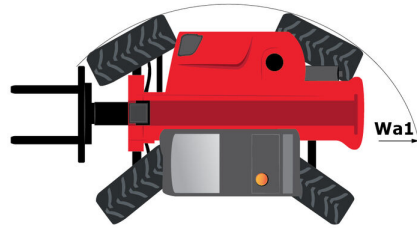
Technical sheet :

MT 930 HA



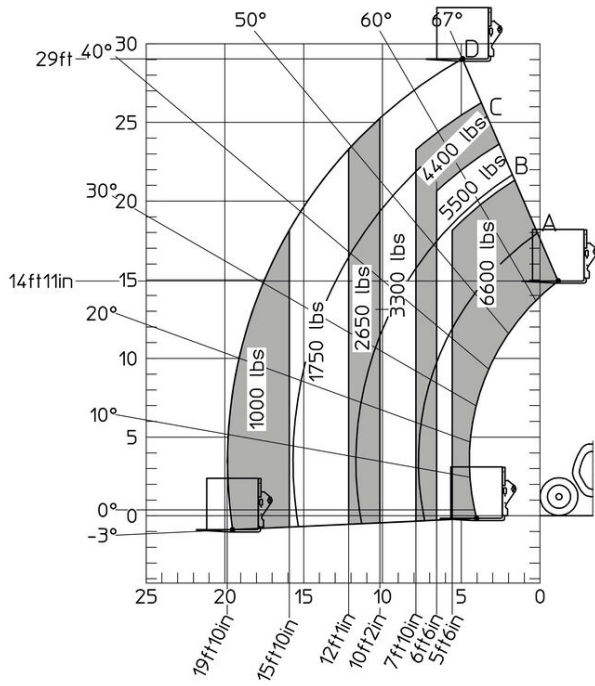
Capacities		Imperial
Max. capacity		6614 lb
Max. lifting height		29 ft
Max. outreach		19 ft 10 in
Weight and dimensions		
Overall length to carriage	l11	15 ft 4 in
Overall length (with forks)	l1	18 ft 11 in
Overall width	b1	6 ft 6 in
Overall height	h17	6 ft 6 in
Wheelbase	y	8 ft 10 in
Ground clearance	m4	1 ft 2 in
Overall cab width	b4	2 ft 7 in
Tilt-up angle	a4	11 °
Tilt-down angle	a5	116 °
External turning radius (over tyres)	Wa1	10 ft 11 in
Unladen weight		14330 lb
Standard tyres		ALLIANCE 380/75 R20 148A8 A580
Forks length / width / section	l / e / s	42 in x 4 in / 2 in
Performances		
Lifting		10.24 s
Lowering		7.95 s
Extension		9.89 s
Crowd		3.06 s
Dump		2.44 s
Engine		
Engine brand		Kubota
Engine norm		Stage V
Engine model		V3307-CR-TE58
Number of cylinders / Capacity of cylinders		4 - 203 in³
I.C. Engine power rating - Power (kW)		75 Hp / 54.60 kW
Max. torque / Engine rotation		265 Nm @ 1400 rpm
Drawbar pull (Laden)		3860 daN
Transmission		
Transmission type		Hydrostatic
Number of gears (forward / reverse)		2 / 2
Max. travel speed		15 mi/h
Service brake		Hydraulic
Hydraulics		
Hydraulic pump type		Gear pump
Hydraulic flow / Pressure		88 l/min / 3553 PSI
Tank capacities		
Engine oil		3 US gal
Hydraulic oil		30 US gal
Fuel tank		24 US gal
Noise and vibration		
Noise at driving position (LpA)		74 dB
Noise to environment (LwA)		103 dB
Vibration on hands/arms		< 2.50 m/s²
Miscellaneous		
Steering wheels (front / rear)		4 / 4
Safety cab homologation		ROPS - FOPS cab (level 2)

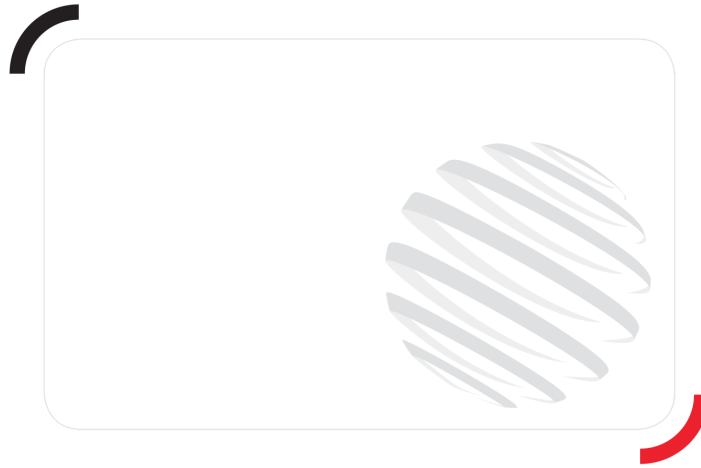
MT 930 HA - Dimensional drawing



MT 930 HA - Load chart

Machine on tyres with forks Imperial





Siège Social

430 rue de l'Aubinière - 44150 Ancenis Cedex - France

Tel: +33(0)2 40 09 10 11 - Fax: +33 (0)2 40 09 10 97

www.manitou.com



This brochure describes versions and configuration options for Manitou products which may be fitted with different equipment. The equipment described in this brochure may be standard, optional or not available depending on version. Manitou reserves the right to change the specifications shown and described at any time and without prior warning. The manufacturer is not liable for the specifications given. For more information, contact your Manitou dealer. Non-contractual document. Product descriptions may differ from actual products. List of specifications is not comprehensive. The logos and visual identity of the company are the property of Manitou and may not be used without authorisation. All rights reserved. The photos and diagrams contained in this brochure are provided for information only.

MANITOU BF SA - Limited company with board of directors - Share capital: 39,668,399 euros - 857 802 508 RCS Nantes