

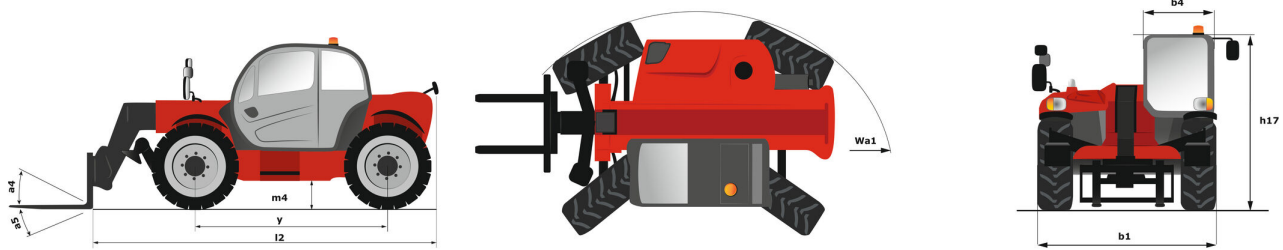
Technical sheet :

MT 1135 H EASY ST5



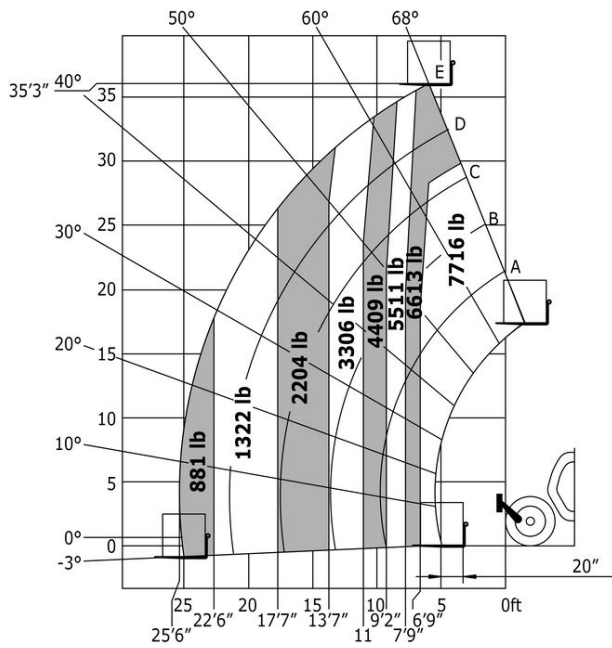
Capacities		Imperial
Max. capacity		7716 lb
Max. lifting height		36 ft 3 in
Max. outreach		25 ft 5 in
Breakout force with bucket		6400 daN
Weight and dimensions		
Overall length to carriage	l11	17 ft 7 in
Overall width	b1	7 ft 6 in
Overall height	h17	7 ft 11 in
Wheelbase	y	9 ft 5 in
Ground clearance	m4	1 ft 5 in
Overall cab width	b4	2 ft 11 in
Tilt-up angle	a4	16 °
Tilt-down angle	a5	110 °
External turning radius (over tyres)	Wa1	12 ft
Unladen weight (with forks)		19654 lb
Tyres type		Pneumatic
Standard tyres		Alliance 400/80 - 24 - 162A8
Forks length / width / section	l / e / s	47 in x 5 in / 2 in
Performances		
Lifting		8.50 s
Lowering		7 s
Extension		13 s
Retraction		9 s
Crowd		5 s
Dump		3.80 s
Engine		
Engine brand		Deutz
Engine norm		Stage V / Tier 4 final
Engine model		TD 3.6 L
Number of cylinders / Capacity of cylinders		4 - 221 in³
I.C. Engine power rating - Power (kW)		75 Hp / 55.40 kW
Max. torque / Engine rotation		330 Nm @ 1600 rpm
Drawbar pull (Laden)		8000 daN
Transmission		
Transmission type		Hydrostatic
Number of gears (forward / reverse)		3 / 2
Max. travel speed		15 mi/h
Parking brake		Automatic parking brake
Service brake		Oil-Immersed multi-discs braking on front axles
Hydraulics		
Hydraulic pump type		Gear pump
Hydraulic flow / Pressure		125 l/min / 3916 PSI
Tank capacities		
Engine oil		3 US gal
Hydraulic oil		37 US gal
Fuel tank		32 US gal
Noise and vibration		
Noise at driving position (LpA)		78 dB
Noise to environment (LWA)		103 dB
Vibration on hands/arms		< 2.50 m/s²
Miscellaneous		
Steering wheels (front / rear)		2 / 2
Drive wheels (front / rear)		2 / 2
Safety / Safety cab homologation		Standard EN 15000 / ROPS - FOPS cab (level 2)
Controls		JSM

MT 1135 H easy ST5 - Dimensional drawing

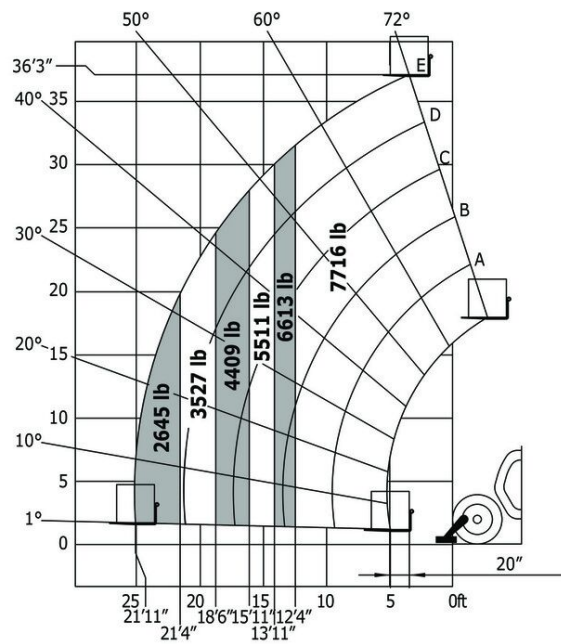


MT 1135 H easy ST5 - Load chart

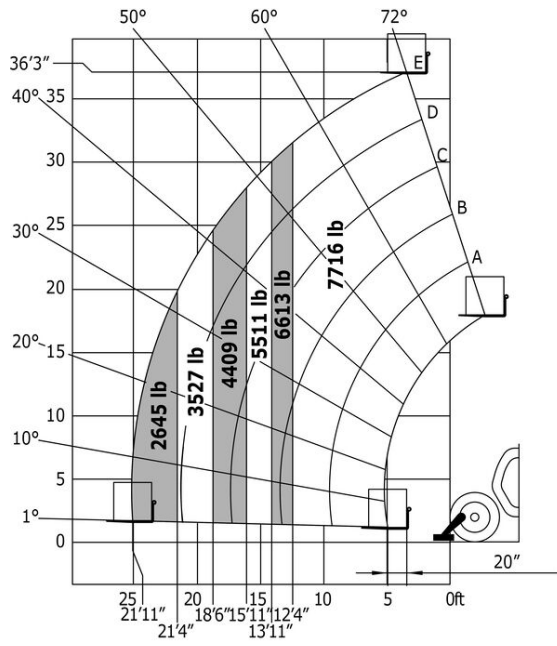
Machine on tyres with forks Imperial

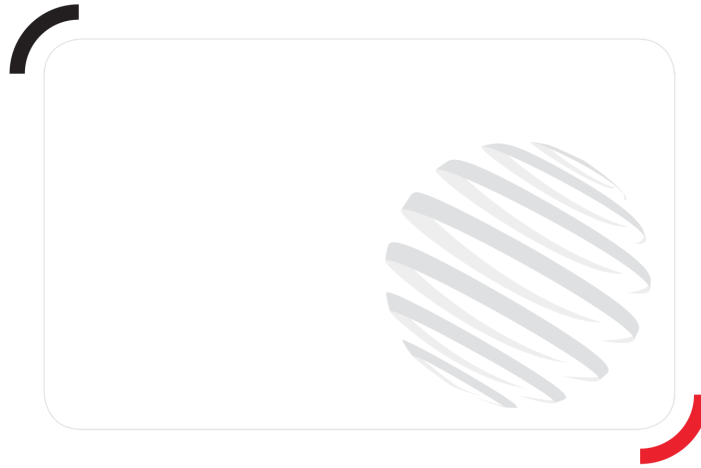


Machine on stabilisers with forks - with levelling device Imperial



Machine on stabilizers with forks Imperial





Siège Social

430 rue de l'Aubinière - 44150 Ancenis Cedex - France

Tel: +33(0)2 40 09 10 11 - Fax: +33 (0)2 40 09 10 97

www.manitou.com



This brochure describes versions and configuration options for Manitou products which may be fitted with different equipment. The equipment described in this brochure may be standard, optional or not available depending on version. Manitou reserves the right to change the specifications shown and described at any time and without prior warning. The manufacturer is not liable for the specifications given. For more information, contact your Manitou dealer. Non-contractual document. Product descriptions may differ from actual products. List of specifications is not comprehensive. The logos and visual identity of the company are the property of Manitou and may not be used without authorisation. All rights reserved. The photos and diagrams contained in this brochure are provided for information only.

MANITOU BF SA - Limited company with board of directors - Share capital: 39,668,399 euros - 857 802 508 RCS Nantes