

Technical sheet :

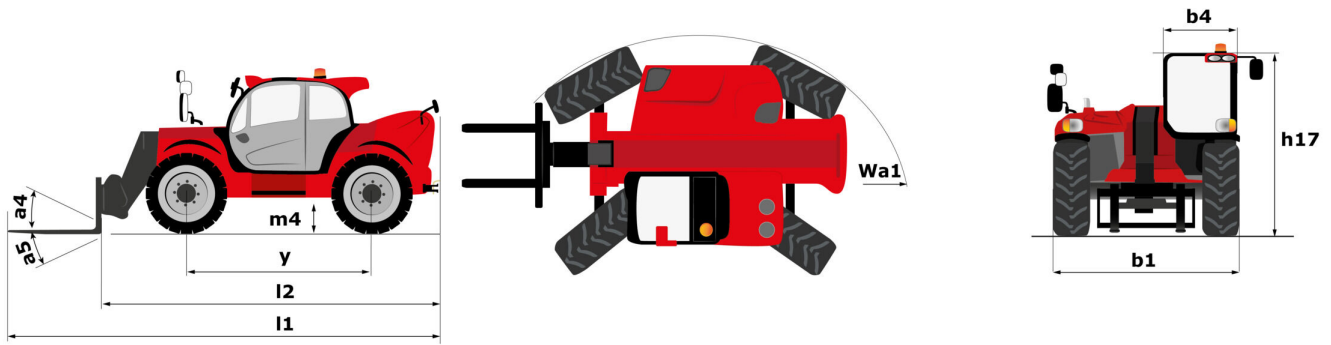
# **MHT 10160 ST5**

---



Capacities		Imperial
Max. capacity		35274 lb
Load centre of gravity	c	24 in
Max. lifting height		31 ft 6 in
Max. outreach		17 ft 1 in
Weight and dimensions		
Overall length	l1	24 ft 1 in
Unladen weight (with forks)		47399 lb
Ground clearance	m4	1 ft 5 in
Wheelbase	y	0 in
Length to face of forks	l2	20 ft 2 in
Overall width	b1	8 ft 3 in
Overall height	h17	9 ft 10 in
Overall cab width	b4	3 ft 1 in
Tilt-down angle	a5	105 °
Tilt-up angle	a4	12 °
External turning radius (over tyres)	Wa1	17 ft 7 in
Forks length / width / section	l / e / s	47 in x 7 in / 3 in
Frame levelling corrector	a9	9 °
Wheels		
Standard tyres		17,5_R25
Number of front wheels / rear wheels		2 / 2
Drive wheels (front / rear)		2 / 2
Steering mode		2 wheel steer, 4 wheel steer, Crab mode
Engine		
Engine brand		Yanmar
Engine norm		Stage V / Tier 4
Engine model		4TN107FTT-6SMU1
Number of cylinders / Capacity of cylinders		4 - 279 in³
I.C. Engine power rating / Power (kW)		173 Hp / 127 kW
Max. torque / Engine rotation		805 Nm@1500 rpm
Engine cooling system		Water
Number of batteries		2
Battery / Batteries capacity		12 V / 120 Ah
Transmission		
Transmission type		Hydrostatic
Number of gears (forward / reverse)		2 / 2
Max. travel speed		16 mi/h
Parking brake		Automatic negative parking brake
Service brake		Oil-immersed multi-discs braking on front & rear axles
Hydraulics		
Hydraulic pump type		Load sensing pump
Hydraulic flow - Pressure		185 l/min - 5076 PSI
Tank capacities		
Engine oil		3 US gal
Hydraulic oil		77 US gal
Fuel tank		83 US gal
Diesel Exhaust fluid (AdBlue® type)		6 US gal
Miscellaneous		
Safety cab homologation		ROPS - FOPS cab (level 2)
Controls		JSM

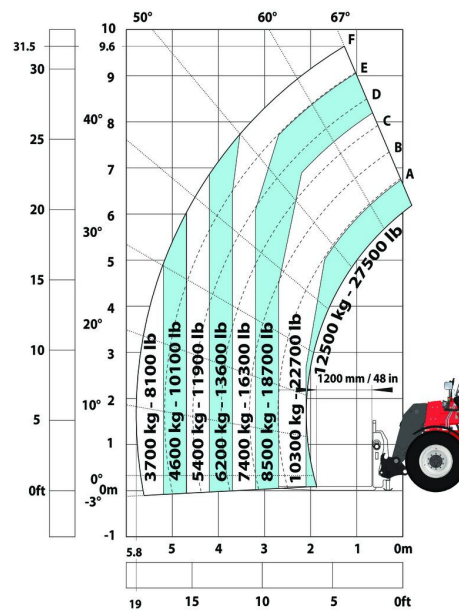
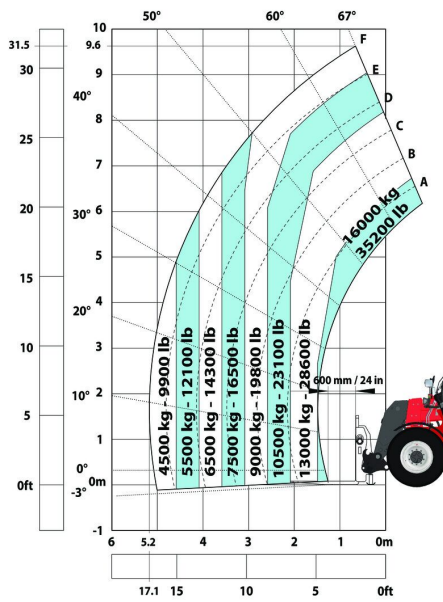
### MHT 10160 ST5 - Dimensional drawing



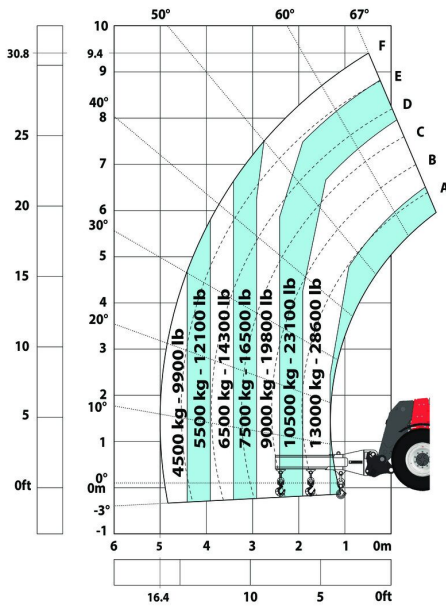
### MHT 10160 ST5 - Load chart

Machine on tyres with forks LC 600 mm (Imperial)

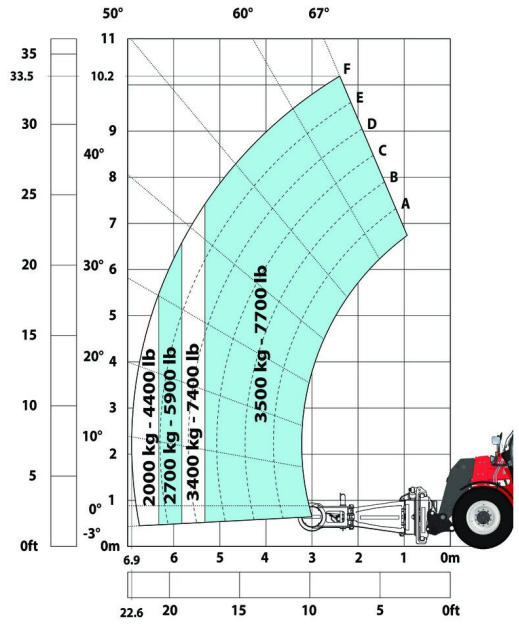
Machine on tyres with forks LC 1200 mm Imperial



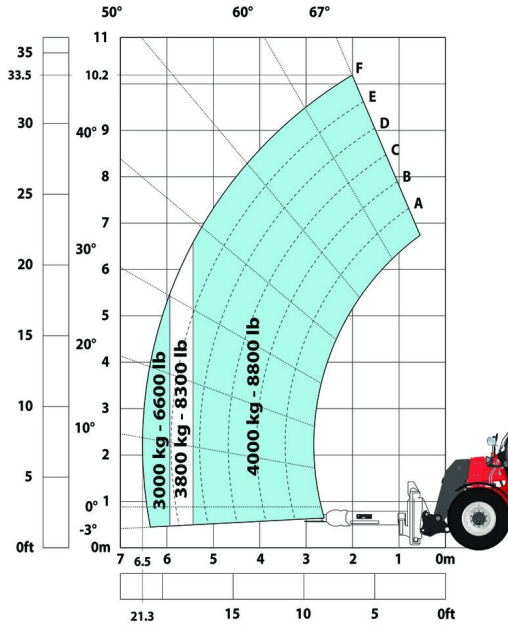
Machine on tyres with 3-hook jib 16000 kg (Imperial)



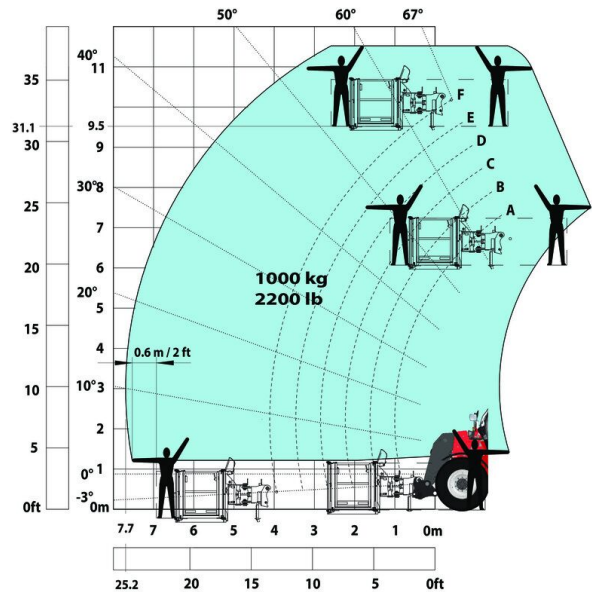
Machine on tyres with tyre handler TH 51 (Imperial)



Machine on tyres with cylinder handler CH 4 (Imperial)



Machine on tyres with platform Imperial





Siège Social

430 rue de l'Aubinière - 44150 Ancenis Cedex - France

Tel: +33(0)2 40 09 10 11 - Fax: +33 (0)2 40 09 10 97

[www.manitou.com](http://www.manitou.com)



This brochure describes versions and configuration options for Manitou products which may be fitted with different equipment. The equipment described in this brochure may be standard, optional or not available depending on version. Manitou reserves the right to change the specifications shown and described at any time and without prior warning. The manufacturer is not liable for the specifications given. For more information, contact your Manitou dealer. Non-contractual document. Product descriptions may differ from actual products. List of specifications is not comprehensive. The logos and visual identity of the company are the property of Manitou and may not be used without authorisation. All rights reserved. The photos and diagrams contained in this brochure are provided for information only.

MANITOU BF SA - Limited company with board of directors - Share capital: 39,668,399 euros - 857 802 508 RCS Nantes