

Quad Track SPECIFICATIONS

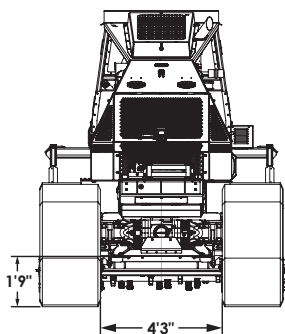
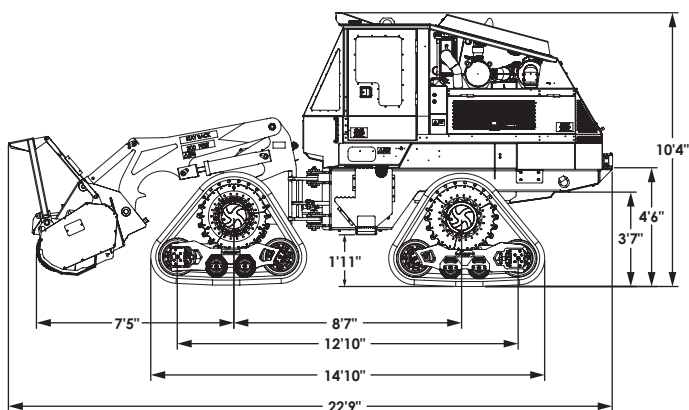
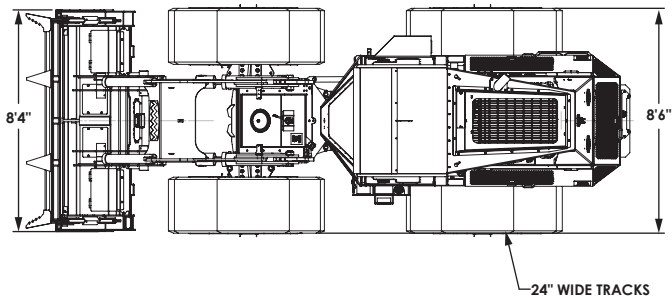
Quad Track Specifications	
Height	10' 4"
Width	8' 6"
Length (with attachment)	22' 6"
Weight (with attachment)	31,000 lbs.
Ground Clearance	21"
Turning Radius (inside)	13'
Ground Pressure	5.5 PSI
Gradeability	25 degree slope
Road Speed	10 mph
Drive	Hydrostatic
Engine	Cummins 260 HP
Controls	
Steering	Steering Wheel
Right Joystick	Cutter Head Movement
Foot Pedal	Travel
Quad Track	24" Wide Track System
Climate Control	Pressurized CAB with Heating—Air Conditioning
Fuel Capacity	54 gallons
Head Option	M550h-2110/2410*
Winch	20,000 lb. Pull

Standard Features
Rear view monitor (camera)
Forward & rear floodlights
Polycarbonate windows
Fore & Aft Slope Indicators
Strobe Lights
Cab Doors Closed Sensor
Lockable front/rear differential and parking brakes are fail safe
E-stop shutdown
Backup Alarm
Fire Extinguisher Holder
Operator Present Seat Switch

Special Features
12-volt accessory power and 5-volt USB accessory charger
Touch Screen Display

*Other options available upon request.

Quad Track SPECIFICATIONS



JARRAFF.COM | 800-767-7112

Jarraff Industries LLC
1731 Gault Street, St. Peter, MN 56082