

WHEELED EXCAVATOR
HW170A CR

Operating weight: 18820 kg
Engine power: 129 kW (173 HP) / 2200 rpm
Bucket capacity: 0.70 m³ - 1.05 m³



A IM HIGH



Take your performance to the next level!

Hyundai Construction Equipment has raised the benchmark again with a new series of wheeled excavators that give you the edge in numerous on-road and off-road applications. Our A-Series machines comply with EU Stage V emissions regulations while delivering higher performance, better fuel efficiency, superior travel speed on the road, an improved cabin and added safety features.

Featuring a new, compact rear design and enhanced controllability, the versatile HW170A CR is your best partner for inner city building sites and roadway construction in narrow and confined spaces, combining productivity and versatility with safety. Built for trenching, digging, dozing, drilling, cutting, lifting or site preparation, set your sights on higher efficiency and outstanding results.

Together we can move mountains!

Productivity & Efficiency

AIM FOR SUPERIOR PERFORMANCE

... with effortless power.

From its upgraded, eco-friendly engine to its carefully chosen control technologies, the HW170A CR wheeled excavator helps operators to achieve new heights of productivity. The load sensing hydraulics and Variable Power Control systems tailor the machine's performance for widely varying needs and working conditions. The compact rear design increases versatility and gives peace of mind to operators.



NEW

High-performance Stage V engine

The new Cummins B4.5 engine delivers more power and performance with 780 Nm of peak torque setting a new industry benchmark. Like all A-Series machines, the HW170A CR features our all-in-one exhaust aftertreatment system which cuts emissions and helps to ensure compliance with European Stage V requirements, the world's strictest emission regulation.

7-11% FUEL SAVINGS
depending on working operation

Engine auto-idle

The auto-idle feature saves fuel, reduces noise and cuts exhaust emissions by automatically switching the engine to idle setting when the excavator is inactive. This reduces fuel consumption without affecting productivity.

NEW

Advanced exhaust aftertreatment

Our all-in-one exhaust aftertreatment module combines a DOC, SCR and DPf in one unit. EGR-free and featuring DPf auto-regeneration, this simplified system is more robust and requires less maintenance. Removing the need for EGR has also enabled us to improve productivity through better fuel economy and longer service intervals.



NEW

Load sensing hydraulic system

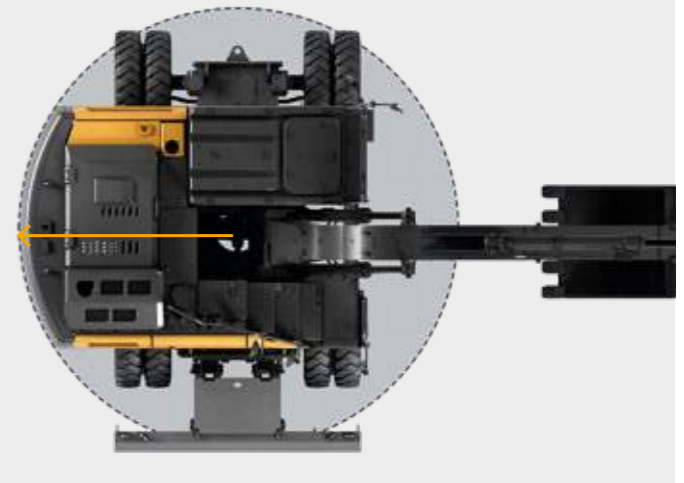
Load sensing hydraulics allow for multi-functional operation and precise machine movements. Control is smooth and predictable, even with a demanding workload. By delivering power exactly when needed, the system also contributes to fuel savings.

Hydrostatic 4-wheel drive

The 4-wheel hydrostatic drive system ensures a smooth driving experience, even in rough conditions.



Tail radius
1830 mm



The rear compact radius makes the HW170A CR the ideal machine for confined work environments.



NEW

A true compact radius for enhanced manoeuvrability

The ultra-short rear swing radius allows the HW170A CR to work on narrow construction sites with people or vehicles still able to pass by. The operator can swing the turret with confidence knowing he won't hit any obstacle.

Proportional auxiliary hydraulics

Productivity is further enhanced by a proportional auxiliary hydraulics system. A proportional single or double-acting circuit is installed as standard, enabling smooth, precise control of attachments.



Eco gauge

This feature helps operators to reduce emissions and running costs by constantly monitoring efficiency. It displays engine workload and fuel-saving status while the machine is working.



Productivity & Efficiency

AIM FOR MAXIMUM RETURN ON INVESTMENT

...with the flexibility to tackle any job.



◀ **Changeable blade & stabilisers**
 'Plug and play' front and rear stabilisers allow for independent and tailored support according to the work environment. The blade is also fully changeable for increased versatility.

NEW
 OPTION



◀ **Trailer hitch preparation**
 The HW170A CR can easily be equipped for the addition of a trailer hitch, giving you the option to transport all necessary tools and machinery to the worksite in one trip. The preparation kit includes electric and hydraulic connectors for rear lights and braking systems.

NEW
 OPTION



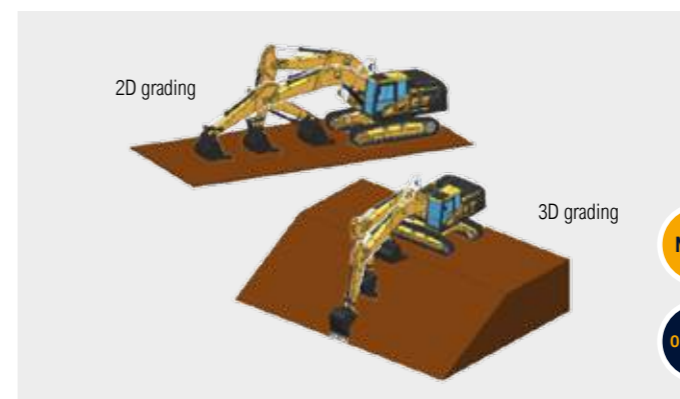
◀ **Electronically controlled reversible fan**
 The reversible fan is electronically controlled to provide automatic engine cooling. An improved self-cleaning fan mode efficiently eliminates dust and debris, protecting performance and productivity.

NEW



◀ **Tiltrotator**
 A factory-mounted Engcon tiltrotator is available as an option, boosting efficiency and profitability through enhanced control with lower fuel consumption.

OPTION



◀ **2D and 3D grading**
 Your HW170A CR wheeled excavator can be supplied with factory-prepared 2D or 3D-ready Machine Control or Machine Grading systems. This gives you the flexibility to work on a wider range of job sites and applications.

NEW
 OPTION

Durability

AIM FOR MORE UPTIME AND DRIVING PLEASURE

... with robust construction and reliable components.

Hyundai has always been driven by the goal of providing durable machines that will create the ultimate long-term ownership experience for our customers. As well as improving engine reliability and simplifying the exhaust aftertreatment system, we have reinforced and optimised numerous other components to extend the lifetime of our A-Series wheeled excavators. Our ultimate aim is to minimise downtime and repairs so that you can stay on schedule, avoid unexpected costs and protect your profits.



Hi-grade (high-pressure) hoses

High-grade hoses with outstanding resistance to heat and pressure provide maximum durability with low maintenance, even in demanding conditions.

Durable cooling module

The HW170A CR is equipped with a new, stacked-type, easy-clean cooling module with a hydraulically driven reversible fan. As well as improving durability, it optimises fuel economy and noise reduction.



Centralised greasing system

A centralised automatic greasing system can be installed as an option. This optimises daily maintenance to prolong the life of all machine joints.

OPTION



Reinforced pins, bushings and polymer shims

The reinforced pins, bushings and polymer shims are designed for an extended lifetime with less maintenance, reducing overall ownership costs.



Reinforced upper and lower frame structure

Built for unbeatable strength and sturdiness, the HW170A CR offers solid performance over a long lifetime. The upper and lower frame structures are reinforced for high workload, while the attachments have been rigorously tested for the roughest conditions.

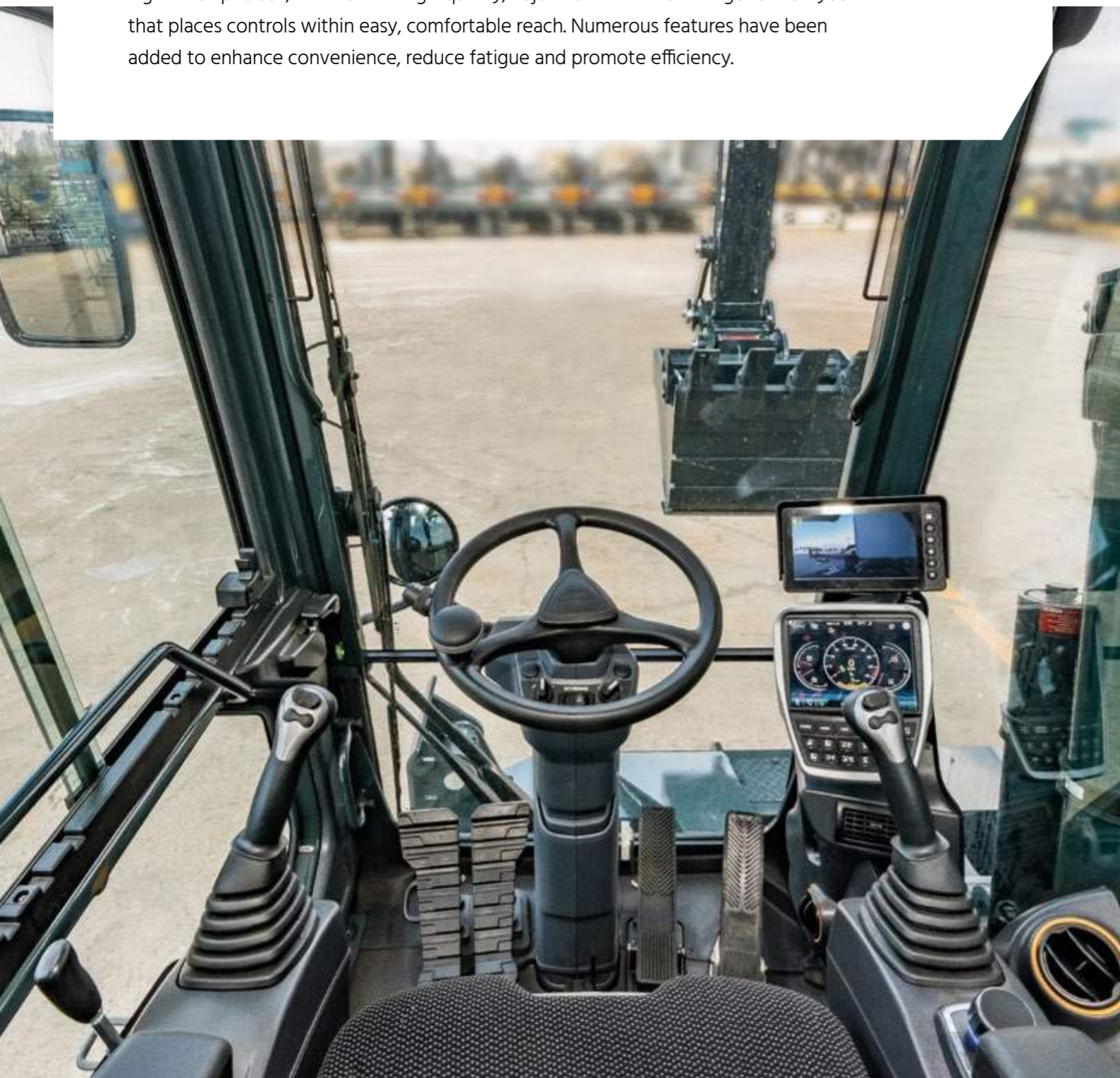


Operator comfort

AIM FOR MORE COMFORT AND CONVENIENCE

...with a spacious cabin and improved ergonomics.

It's easier to be productive when your workplace is comfortable and well designed. That's why we placed operators right at the centre of the HW170A CR cabin design. Light and spacious, it features a high-quality, adjustable seat and an ergonomic layout that places controls within easy, comfortable reach. Numerous features have been added to enhance convenience, reduce fatigue and promote efficiency.



3-way adjustable steering column
The steering column is ergonomically positioned and adjustable so that every operator can work more comfortably and productively.



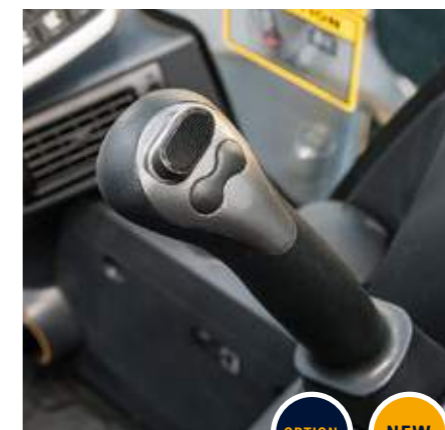
Deluxe seat
The air suspension seat is ergonomically designed and heated, helping operators to work longer without fatigue in all weathers and seasons.



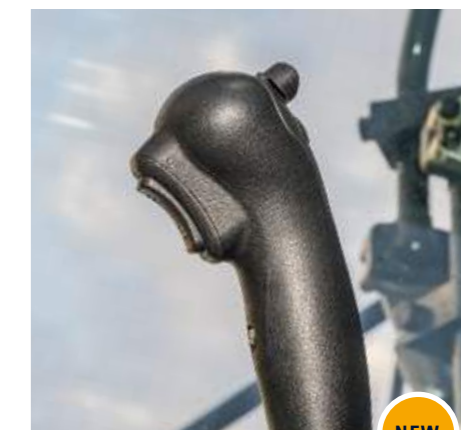
Work modes
The operator can select from three different work modes – Park, Work and Travel – for convenient automatic control of a range of functions.



Wide touchscreen monitor
The 8-inch touchscreen is one of the largest on the market and features WiFi connectivity, allowing operators to take advantage of smart technologies as they work.

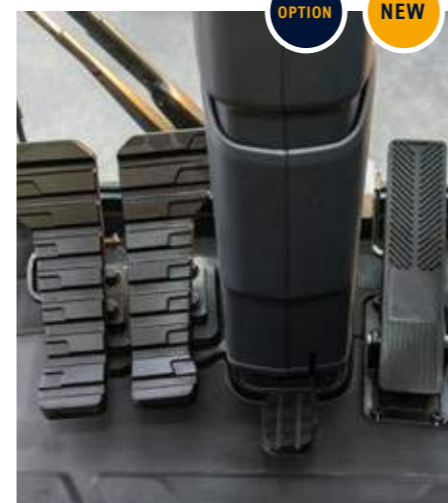


Joystick steering
The HW170A CR features right-hand joystick steering for quick, easy manoeuvring and enhanced productivity.



FNR and Ram Lock Switch on joystick
The Forward/Reverse switch is positioned right at the operator's fingertip. The front axle oscillation lock can also be activated from the joystick, improving convenience and productivity on demanding jobs.

Auxiliary joystick and pedal control
A 2-way proportional auxiliary joystick and pedal control enable effortless operation to minimise operator fatigue.



Full climate control
The efficient air conditioning is enhanced with full climate control for fast heating, cooling and defrosting.



Jog dial module
For added convenience, an integrated jog dial module allows easy control of the air conditioning and instrument cluster navigation.



OPTION NEW

NEW

OPTION NEW

Operator comfort

AIM FOR EASY, EFFICIENT CONTROL

... with the right technologies to assist you.



Attachment flow control

The load sensing hydraulic system allows for superior flow sharing performance, resulting in optimal multi-functional operation with excellent controllability. The machine memory accommodates 20 attachments (10 breaker types and 10 crusher types) to suit a wide range of applications and environments.



Power boost function

The power boost function automatically increases relief pressure for that extra push when you need it.



Cruise control & speed limiter, creep speed drive

The HW170A CR is equipped with cruise control and speed limiter systems, allowing operators to relax while maintaining a steady speed over longer distances. When creep speed is activated, the excavator will drive at a maximum speed of 3.5 km/hr. This gives the operator better control and higher torque with minimal effort.



OPTION

Floating boom function

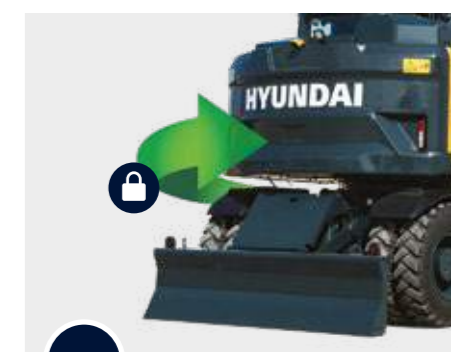
The floating boom setting allows the boom to move up and down freely under its own weight. This enables effortless levelling of surfaces.



OPTION

Fine swing control

Fine swing control enables smooth movement at the beginning and end of swing operations. This improves precision in a wide range of applications and reduces spillage from the bucket.



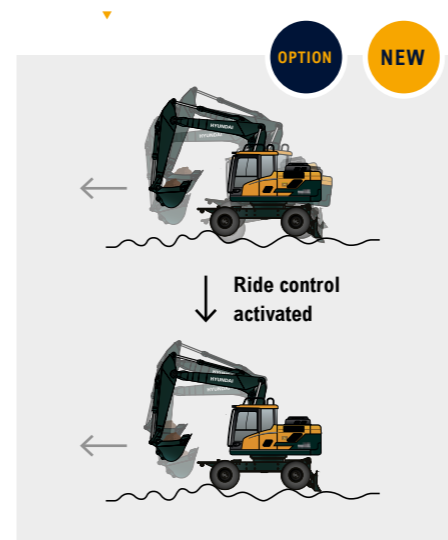
OPTION

Swing lock system

Swing lock disables the turret swing to increase safety when needed. This is particularly useful during road travel, when working next to roads and railways, or near buildings and other obstacles.

Ride control

A ride control system is available as an option. This reduces rocking of the excavator body, ensuring a smooth ride on all kinds of terrain, and reducing spillage from the bucket.



Advanced audio system

The audio system includes a radio player, USB-based MP3 player and Bluetooth for hands-free calling. The smart display of the cabin monitor mirrors mobile phone functions, keeping operators entertained and connected all day long.



Safety

AIM FOR THE HIGHEST PROTECTION FOR WORKERS

... with zero compromise on efficiency.

The Hyundai approach to safety goes far beyond just meeting regulatory standards. We prioritise safety in every aspect of our machines and work with our customers to keep improving protection for operators, co-workers, passers-by, surrounding buildings and of course the machines themselves. This includes robust, protective machine structures, a cabin design that offers a clear all-round view of machine surroundings and a series of additional features and technologies that increase peace of mind on and off the work site.



◀ **Safety valves on all cylinders**
As a standard feature, safety valves are integrated on the boom, arm, blade and ram lock hydraulic cylinders.

◀ **LED lights**
All the working lights are LED-type for greater visibility during work and travel.

◀ **Safety glass**
Safety glass has been used for all windows, including a laminated glass front window for added protection.

◀ **Cabin suspension mount**
Integrated silencer blocks minimise noise and vibration inside the cabin, reducing fatigue and allowing safer, more enjoyable operation.

◀ **Improved cabin access**
The cabin access steps have been redesigned for safe, convenient entry.

NEW

NEW

Safety

Short swing radius

The short swing radius gives operators extra peace of mind and improves safety for colleagues and passers-by: while working on one lane of a road, the machine can swing without disturbing traffic on the second lane.



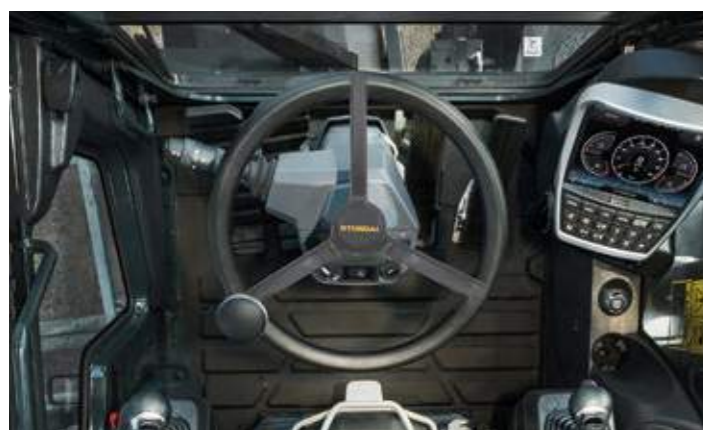
Auto safety lock

The auto safety lock feature prevents unintentional ignition and random machine movement. When the safety lever is unlocked, the engine cannot be started and the system will not engage, even if the joystick is pressed accidentally.



ROPS / FOPS certified cabin

To protect workers, the cabin structure is reinforced with integrally welded, low-stress, high-strength steel. It is certified to ISO 12117-2 (ROPS - Roll-over Protective Structures) and ISO 10262 Level 2 (FOPS - Falling Object Protective Structures) safety standards.



Advanced Around View Monitoring (AAVM)

Hyundai's AAVM camera system can be installed as an option, giving operators a 360° overview of their immediate working environment, including rear, side mirror and birds-eye views. It also integrates Intelligent Moving Object Detection (IMOD) technology that senses and warns the driver when people or objects come within five metres of the machine.

OPTION

Axles and fenders

The HW170A CR has been equipped with a heavy duty axle for higher durability and to enhance stability in different conditions and material handling applications. Sturdy fenders, covering the wheel even when steering, have been added to protect the tyres from flying debris while driving.



OPTION

Emergency steering

If the hydraulic supply should fail, manual steering is automatically enabled.

New upper structure design

The upper structure has been redesigned to improve access for maintenance.



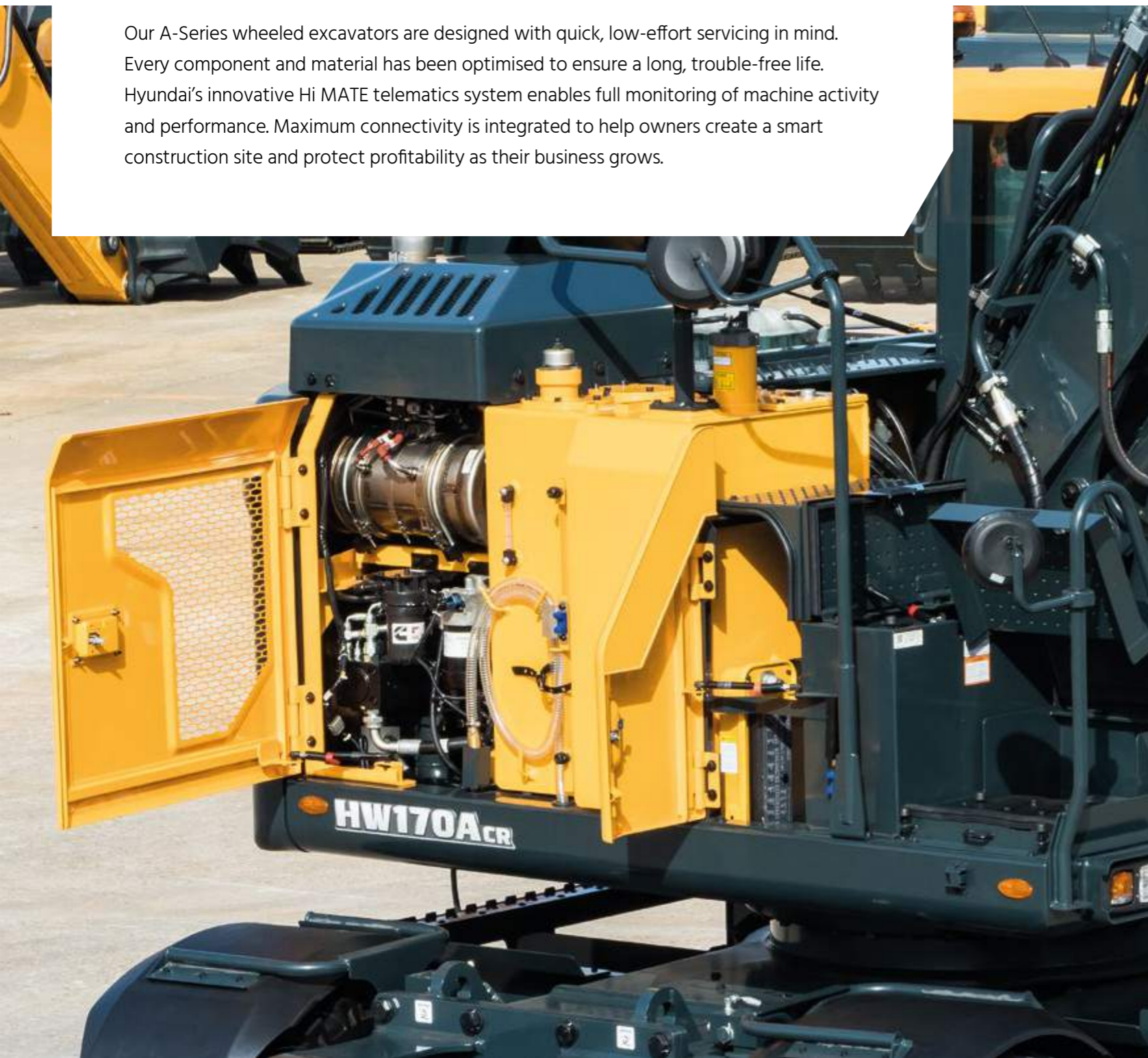
NEW

Serviceability & Connectivity

AIM FOR MAXIMUM UPTIME AND EFFICIENT SERVICING

... with intelligent machine management and easy access.

Our A-Series wheeled excavators are designed with quick, low-effort servicing in mind. Every component and material has been optimised to ensure a long, trouble-free life. Hyundai's innovative Hi MATE telematics system enables full monitoring of machine activity and performance. Maximum connectivity is integrated to help owners create a smart construction site and protect profitability as their business grows.



OPTION

Fuel filler pump
An integrated fuel filler pump with auto stop makes refuelling quick and easy.



DEF/AdBlue filler access
Access to the DEF/AdBlue tank filling point has been made easier with redesigned steps.



Mobile Fleet app
Hyundai's new Mobile Fleet app provides all the information you need to run your fleet efficiently and economically. Based on telematics, this advanced solution uses simple graphics and key performance data for smart fleet management.

HiMATE

Boost efficiency and performance

For maximum convenience and security, the HW170A CR features Hyundai's exclusive Hi MATE remote fleet management system, which uses mobile data technology to provide the highest level of service and support. You can monitor your equipment wherever you are via a dedicated website or mobile app, with access to working parameters like total engine hours, machine utilisation, actual performed working hours, fuel consumption and machine location.

ECD (Engine Connected Diagnostics)
ECD provides troubleshooting advice as well as tailored servicing and parts support from Cummins Quick Serve. Service technicians are supported with remote diagnostics reports allowing them to prepare for initial site visits, bring the right tools and achieve a higher problem resolution rate.



Increase productivity
By providing information such as service hours, idle time and fuel consumption, Hi MATE saves you money and improves productivity. Service alerts enable better maintenance planning.



Monitor your machines
Hi MATE's real-time location information allows better, more convenient monitoring of your equipment. Just log onto the Hi MATE website or mobile app to see your machines at any time, from any location. Receive data online, by e-mail or directly on your mobile device.



Improve security
Protect your equipment from theft or unauthorised usage. Hi MATE's geofencing alerts notify you automatically when a machine leaves a predetermined zone.



NEW



Take the tour!

HW170A CR

Productivity & Efficiency

- High-performing Stage V engine with advanced exhaust aftertreatment **NEW**
- Load sensing hydraulic system **NEW**
- Variable Power Control **NEW**
- Hydrostatic 4-wheel drive
- Eco gauge
- Trailer hitch preparation **NEW** **OPTION**
- Electronically controlled reversible fan **NEW**
- Tiltrotator **NEW** **OPTION**
- 2D and 3D grading **NEW** **OPTION**

Comfort

- 3-way adjustable steering column **NEW**
- Largest touchscreen monitor on the market (incl. WiFi)
- Attachment flow control
- Joystick steering **OPTION**
- FNR and Ram Lock Switch on Joystick **NEW**
- Ride control **NEW** **OPTION**
- Cruise control & speed limiter
- Advanced audio system
- Full climate control



Durability

- Reinforced upper and lower frame structure
- Reinforced pins, bushings and polymer shims
- Durable cooling module
- Hi-grade (high-pressure) hoses
- Centralised greasing system **OPTION**

Safety

- Advanced Around View Monitoring (AAVM) camera system **OPTION**
- LED working lights
- ROPS / FOPS certified cabin
- Safety glass
- Wide axle and fenders **OPTION**
- Auto safety lock **NEW**
- Safety valves on all cylinders
- Automatic digging brake **NEW** **OPTION**

Serviceability & Connectivity

- ECD (Engine Connected Diagnostics) **NEW**
- Improved DEF/AdBlue filler access
- Fuel filler pump with auto stop **OPTION**
- Hyundai Hi MATE telematics system
- Mobile Fleet app **OPTION**

Genuine parts and warranties

THE BEST WAY TO PROTECT YOUR INVESTMENT

Hyundai Genuine Parts, accessories and warranty programmes are specially designed to keep your machine covered. They increase uptime and maintain the performance, comfort, and convenience that are built into your equipment.

Fuel filters

Hyundai fuel filters provide the right degree of filtration to keep your engine clean. They are designed to meet and exceed the engine manufacturer's prerequisites for water separation and dirt filtration, prolonging the life of your engine.

Aftermarket kits

You can order Hyundai aftermarket kits via your dealer. This AAVM system for example, improves safety in and around your work environment at all times.

Hyundai Genuine Parts

Hyundai Genuine Parts have the same design as those installed when your machine left the factory. They are subjected to rigorous quality inspections and tests to make sure they meet Hyundai's strict requirements for quality and durability. As well as minimising downtime, this helps to ensure peak performance on every task.



Hyundai warranties

Our warranties are designed to give you the cover you need to build your business with confidence and peace of mind.

Standard warranties

We offer standard warranty coverage for all wheeled excavators. In addition, optional and extended warranty periods are available, so you can benefit from full warranty coverage for longer, and even over the full lifetime of the machine. Please discuss the optimal solution for your needs with your local Hyundai dealer.

Extended warranties

Our extended warranties help you maintain full control over your operating costs. If you combine an extended warranty programme with a tailored maintenance contract, you can completely avoid unexpected costs.



A network you can rely on

Hyundai Construction Equipment Europe prioritises quick, reliable intervention to keep your equipment running reliably. In its 13000 m² warehouse, Hyundai covers over 96% of all Genuine Parts. With one of Europe's most advanced automated warehousing systems, we are able to maintain availability and efficient delivery of all our Genuine Parts. Moreover, we guarantee a 24-hour delivery service across our European dealer network.

SPECIFICATIONS

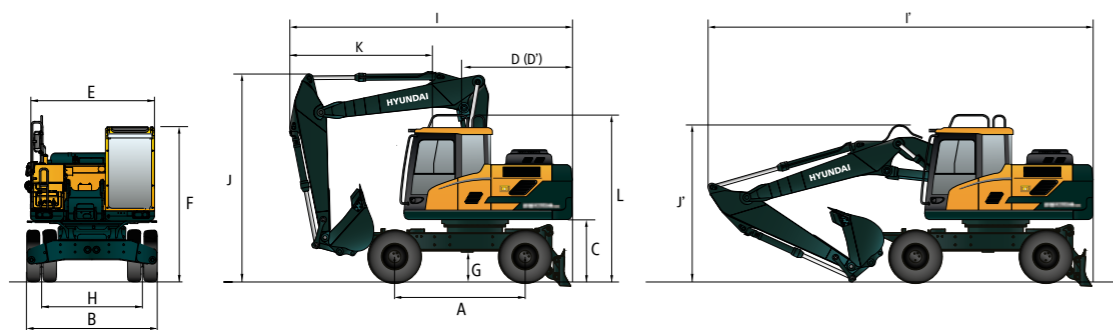
SPECIFICATIONS		HW170A CR
ENGINE		
Maker / Model	CUMMINS / B4.5	
Type	4 cylinder, water cooled, 4-cycle, turbocharged charge air cooled, direct injection, electronic controlled diesel engine.	
Gross Power	129 kW (173 hp) at 2200 rpm	
Net Power	127 kW (170 hp) at 2200 rpm	
Max. Power	129 kW (173 hp) at 2200 rpm	
Peak Torque	780 N m at 1500 rpm	
Displacement	4.5 l	
HYDRAULIC SYSTEM		
Advanced Load Sensing System (LUDV)		
Load independent flow sharing		
MAIN PUMP		
Type	Variable displacement pump	
Max. flow	261 lpm @ 1800 rpm	
AUX PUMP		
Type	Piston pump	
Max. flow	60 lpm	
* Load Sensing - Variable displacement pump : LUDV (load independent flow sharing)		
HYDRAULIC MOTORS		
Travel	Bent - axis piston motor with brake valve and parking brake	
Swing	Radial Piston Motor	
RELIEF VALVE SETTING		
Implement circuits	350 kgf/cm ² (4970 psi)	
Travel	380 kgf/cm ² (5400 psi)	
Power boost (boom, arm, bucket)	380 kgf/cm ² (5400 psi)	
Swing circuit	285 kgf/cm ² (4050 psi)	
Pilot circuit	35 kgf/cm ² (500 psi)	
Service valve	Installed	
HYDRAULIC CYLINDERS		
No. of cylinder bore X stroke	Arm: 1-120 x 1235 mm	
	Bucket: 1-105 x 995 mm	
	Blade: 2-110 x 235 mm	
	Outrigger: 2-125 x 463 mm	
	2-PCS boom: 2-110 x 992mm	
	Adjust(boom): 1-160 x 624mm	
* Hyundai Bio Hydraulic Oil (HBHO) available		
DRIVES & BRAKES		
4-wheel hydrostatic drive. Constant mesh, helical gear transmission provides 2 forward and reverse travel speeds.		
Max. drawbar pull	10720 kgf	
Travel speed	1st	1st: 9.5 km/h
	2nd	2nd: 35 km/h or 20 km/h (Option)
Gradeability	35° (70 %)	
Service Brake:		
* Independent dual brake, front and rear axle full hydraulic power brake.		
* Spring released and hydraulic applied wet type multiple disc brake.		
Parking Brake:		
* Spring applied and hydraulic released wet disc brake type in transmission.		
CONTROLS		
Pilot control	Two joysticks with one safety lever (LH): Swing and arm, (RH): Boom and bucket (ISO)	
	FNR switch on RH joystick / Ram lock switch on LH joystick	
Attachment Control	3 modes available: Push / Proportional / Permanent	
Engine throttle	Electric, Dial type	
Operation Mode	3 modes available: P-Parking W-Working T-Travel	

SPECIFICATIONS		HW170A CR
CONTROLS		
Full floating front axle is supported by center pin for oscillation. Oscillation lock (ram lock) function for safe operation. Rear axle is fixed on the lower chassis.		
Tyres	10.00-20-14PR, Dual (tube type)	
(Optional)	10.00-20, Dual (solid type)	
	10.00-20-16PR, Dual (tube type)	
STEERING SYSTEM		
Hydraulically actuated, orbitrol type steering system actuates on front wheels through steering cylinders.		
Min. turning radius	6300 mm	
SWING SYSTEM		
Swing motor	Fixed displacement radial piston motor	
Swing reduction	Planetary gear reduction	
Swing bearing lubrication	Grease-bathed	
Swing brake	Multi wet disc	
Swing speed	9.3 rpm	
COOLANT & LUBRICANT CAPACITY		
	liter	
Fuel tank	200	
Engine coolant	19,5	
Engine oil	11	
Swing device - gear oil (OPT)	6.2 (5.0)	
Swing device - grease (OPT)	(1,2)	
Axle	Front	15,5
	Rear	17,5
Transmission	2,5	
Hydraulic system (including tank)	187	
Hydraulic tank	103	
DEF/AdBlue®	27	
UNDERCARRIAGE		
Reinforced box-section frame is all-welded, low-stress. Dozer blade and outriggers are available. A pin-on design.		
Dozer blade	Parallelogram-mounted dozer blade to support machine when working, also for leveling and back filling.	
Outrigger	Indicated for max. operation stability when digging and lifting. Can be mounted on front/or rear.	
OPERATING WEIGHT (APPROXIMATE)		
Operating weight, including 5000 mm 2pc boom, 2450 mm arm, SAE heaped 0.70 m ³ bucket, lubricant, coolant, full fuel tank, hydraulic tank and standard equipment.		
OPERATING WEIGHT		
Rear dozer blade	18820 kg	
Rear outriggers	19090 kg	
Front outriggers and rear blade	20040 kg	
Front blade and rear outriggers	20040 kg	
Four outriggers	20310 kg	
AIR CONDITIONING SYSTEM		
The air conditioning system contains fluorinated greenhouse gas refrigerant R134a (Global Warming Potential = 1430). The system contains 0.75 kg of refrigerant representing a CO ₂ equivalent of 1.07 metric tonnes.		

DIMENSIONS & WORKING RANGE

HW170A CR 2-PIECE BOOM DIMENSIONS

5.0 m 2-Piece boom, 2.0 m, 2.45 m, 2.6 m Arm, Rear dozer

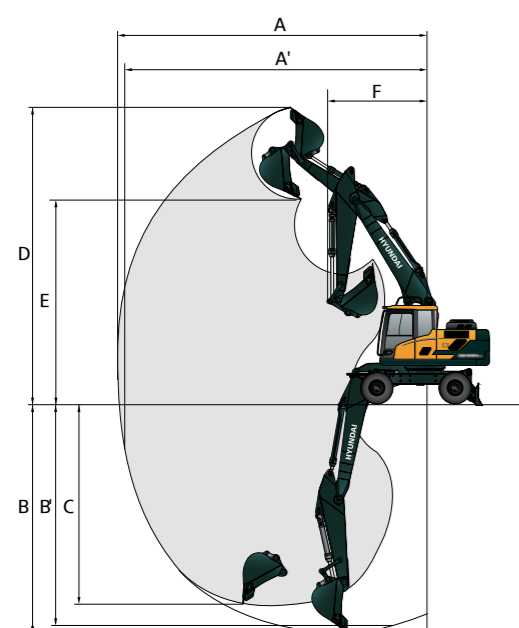


Unit : mm

A	Wheel base	2600
B	Overall width (STD / Wide axle)	2530 / 2700
C	Ground clearance of counterweight	1265
D	Rear-end distance	1830
D'	Rear-end swing radius	1830
E	Upperstructure width	2500
F	Overall height of cab	3220
G	Min. ground clearance	340
H	Tread	1944
L	Overall height of guardrail	3275

Boom length		5000		
Arm length		2000	2450	2600
I	Overall length (Traveling position)	5880	5850	5790
I'	Overall length (Shipping position)	7900	7860	7820
J	Overall height of boom (Traveling position)	3940	3940	3960
J'	Overall height of boom (Shipping position)	2940	2900	3150
k	End of attachment to steering wheel	3050	3030	2960

HW170A CR 2-PIECE BOOM DIMENSIONS



Unit : mm

Boom Length		5000		
Arm Length		2000	2450	2600
A	Max. Digging Reach	8490	8950	9020
A'	Max. Digging Reach on Ground	8280	8750	8820
B	Max. Digging Depth	4980	5440	5565
B'	Max. Digging Depth (8° Level)	4870	5340	5460
C	Max. Vertical Wall Digging Depth	4150	4680	4680
D	Max. Digging Height	9370	9785	9680
E	Max. Dumping Height	6660	7060	6980
F	Min. Swing Radius	3380	3040	3500

LIFTING CAPACITY

Rating over-front Rating over-side or 360 degrees

HW170A CR 2-PIECE BOOM

5.0 m 2-Piece boom, 2.00 m arm equipped with 4200 kg counterweight, dozer blade down

Lift-point height m		Lift-point radius						At max. Reach		
		3.0 m		4.5 m		6.0 m		Capacity		Reach m
7.5 m	kg							*4790	*4790	4.19
6.0 m	kg			*4310	*4310			*4390	3240	5.75
4.5 m	kg			*4930	4680	*4350	3000	4000	2550	6.60
3.0 m	kg			*6070	4350	4560	2880	3570	2250	7.03
1.5 m	kg			6770	4070	4430	2750	3450	2160	7.12
0.0 m	kg			6630	3940	4340	2680	3600	2240	6.87
-1.5 m	kg	*9480	7320	6630	3950	4360	2690	4140	2570	6.24

5.0 m 2-Piece boom, 2.45 m arm equipped with 4200 kg counterweight, dozer blade down

Lift-point height m		Lift-point radius								At max. Reach		
		3.0 m		4.5 m		6.0 m		7.5 m		Capacity		Reach m
7.5 m	kg			*4020	*4020					*2760	*2760	4.95
6.0 m	kg			*3820	*3820	*3550	3070			*2330	*2330	6.31
4.5 m	kg			*4470	*4470	*4010	3020			*2180	*2180	7.10
3.0 m	kg			*5630	4410	*4480	2880	*2180	2020	*2160	2020	7.50
1.5 m	kg			*6770	4080	4420	2740	*2940	1980	*2260	1940	7.58
0.0 m	kg			6600	3910	4310	2640			*2490	2010	7.35
-1.5 m	kg	*8350	7170	6560	3880	4280	2620			*2960	2250	6.77
-3.0 m	kg			*6380	3970							

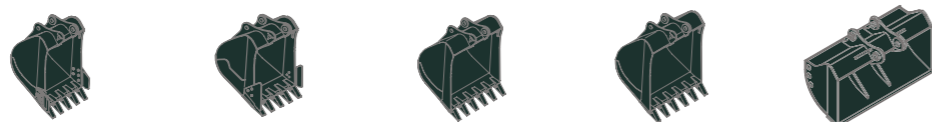
5.0 m 2-Piece boom, 2.6 m arm equipped with 4200 kg counterweight, dozer blade down

Lift-point height m		Lift-point radius								At max. Reach		
		3.0 m		4.5 m		6.0 m		7.5 m		Capacity		Reach m
7.5 m	kg			*3810	*3810					*2920	*2920	5.15
6.0 m	kg			*3660	*3660	*3740	3090			*2510	*2510	6.47
4.5 m	kg			*4310	*4310	*3900	3030			*2360	2190	7.24
3.0 m	kg			*5480	4430	*4390	2890	*3130	2020	*2360	1960	7.63
1.5 m	kg			*6660	4090	4420	2740	3170	1970	*2470	1890	7.71
0.0 m	kg			6590	3900	4300	2630			*2730	1940	7.48
-1.5 m	kg	*8140	7130	6540	3850	4270	2600			*3240	2170	6.91
-3.0 m	kg			*6510	3930							

- Lifting capacities are based on ISO 10567.
- Lifting capacity of the HW A-series does not exceed 75% of tipping load with the machine on firm, level ground or 87% of full hydraulic capacity.
- The Lift-point is bucket pivot mounting pin on the arm (without bucket mass).
- (*) indicates load limited by hydraulic capacity.
- Caution: please be aware of the local regulations and instructions for lifting operations.

BUCKET SELECTION GUIDE & DIGGING FORCE

BUCKETS



SAE heaped m³	0.70	◆ 0.73	0.89	■ 0.69	● 0.75
	0.76	◆ 0.85	1.05		

Capacity m³		Width mm		Weight kg	Tooth EA	Recommendation mm		
SAE heaped	CECE heaped	Without side cutters	With side cutters			4200 kg CWT		
						5000 2-Piece Boom		
						2000 Arm	2450 Arm	2600 Arm
0.70	0.60	1020	1100	600	5	○	■	■
0.76	0.65	1090	1170	620	5	■	▲	▲
0.89	0.77	1250	1325	680	6	▲	▲	✕
1.05	0.90	1430	1510	740	6	✕	✕	✕
■ 0.69	0.62	1050	-	720	5	○	■	▲
● 0.75	0.65	1760	-	540	0	○	■	■
◆ 0.73	0.67	914	946	620	5	○	■	▲
◆ 0.85	0.76	1067	1096	670	5	■	▲	▲

- ◆ General Purpose
- Heavy Duty
- Rock-HD
- Applicable for materials with density of 2100 kg/m³ or less
- Applicable for materials with density of 1800 kg/m³ or less
- Applicable for materials with density of 1500 kg/m³ or less
- ▲ Applicable for materials with density of 1200 kg/m³ or less
- ✕ Not Recommended

ATTACHMENT

Booms and arms are welded with a low-stress, full-box section design. 2.0 m, 2.45 m, 2.6 m arms are available.

DIGGING FORCE

Boom	Length	mm	5000			Remark
			2000	2450	2600	
Arm	Length	mm				[] : Power Boost
		kN	98 [107]	98 [107]	98 [107]	
	kgf	10008 [10920]	9992 [10900]	10026 [10940]		
	kN	115 [125]	115 [125]	115 [126]		
Bucket digging force	SAE	kgf	11726 [12790]	11706 [12770]	11746 [12810]	
		kN	85 [93]	67 [73]	67 [73]	
	ISO	kgf	8648 [9430]	6858 [7480]	6798 [7420]	
		kN	89 [98]	70 [77]	70 [76]	
Arm crowd force	SAE	kgf	9118 [9950]	7178 [7830]	7106 [7750]	
		kN				

STANDARD/OPTIONAL EQUIPMENT

ENGINE	STD
Cummins B 4.5 engine	●
HYDRAULIC SYSTEM	STD
Advanced Load Sensing (LUDV)	
3-power modes, 3-work modes, user mode	●
Boost Function	●
Attachment Flow Control	●
3 attachment control modes (Push/Prop./Permanent)	●
Engine Auto Idling	●
Engine Auto Shutdown	●
Electronic Fan Control (reversible)	●
35 km/h or 20 km/h travel motor	
Hyundai Bio Hydraulic Oil (HBHO)	
CABIN & INTERIOR	STD
ISO Standard cabin	
All-weather steel cab with 360°visibility	●
Parallel type windshield wiper	●
Radio / USB / MP3 player	●
Handsfree mobile phone system with USB	●
12 volt power outlet (24V DC to 12V DC converter)	●
Electric horn	●
Safety glass - Tempered glass with front laminated glass	●
Safety glass windows	●
Sliding fold-in front window	●
Sliding side window (LH)	●
Lockable door	●
Hot & cool box	●
Storage compartment	●
Transparent cabin roof-cover	●
Sun visor	●
Door and cabin locks, one key	●
Smart key & Start button	●
Pilot-operated proportional joysticks	●
Steering wheel with 3-way adjustable steering column	●
Cabin front window rain guard	●
Automatic climate control	
Air conditioner & heater	
Defroster	
Starting Aid (air grid heater) for cold weather	
Centralised monitoring	
8" LCD touchscreen display	●
Engine speed or Trip meter/Accel.	●
Engine coolant temperature gauge	●
Max power	●
Low speed/High speed	●
Auto idle	●
Overload warning with alarm	
Check Engine	●
Air cleaner clogging	●
Indicators	●
ECO Gauge	●
Fuel level gauge	●
Hyd. oil temperature gauge	●
Warnings	●
Communication error	●
Low battery	●
Clock	●
Seat	
Adjustable air suspension seat with heater	●
Mechanical suspension seat with heater	
Cabin ROPS (ISO 12117-2)	
ROPS (Roll Over Protective Structure)	●
Cabin FOPS/FOG (ISO 10262) Level 2	
FOPS (Falling Object Protective Structure)	●
FOG (Falling Object Guard)	Front & Top Guard Top Guard

SAFETY	STD
Safety lock valve on boom cylinders with overload warning device	●
Safety lock valve on arm cylinder	●
Safety lock valve on dozer blade and ram lock cylinders	●
Four outside rearview mirrors	●
Rearview camera	●
Rear & Mirror view camera	
AAVM (Advanced Around View Monitoring)	
Four front working lights LED (2 boom mounted, 2 front frame mounted)	●
Rear work lamp LED	●
Beacon lamp LED	
Travel alarm	●
Automatic swing brake	●
Swing Lock System	
Auto-digging brake	
Joystick Steering	
Battery master switch	●
Wheel chock	●
ATTACHMENT	STD
Boom options	
5.0 m, 2-Piece	●
Arm options	
2.00 m	
2.45 m	●
2.60 m	
OTHER	STD
Ride control (boom suspension system)	
Boom floating system	
Cruise control	●
Speed Limiter	●
Creep speed travel mode	●
Heavy counterweight	●
Removable clean-out dust net for cooler	●
Fuel pre-filter	●
Self-diagnostics system	●
Hi MATE (Remote Management System)	Mobile Satellite
Batteries (2 x 12V x 100 AH)	●
Fuel filler pump (35 lpm) with autostop	●
Single-acting piping kit (breaker, etc.)	●
Double-acting piping kit (clamshell, etc.)	●
Rotating piping kit	
Quick coupler piping	
Quick coupler	
Accumulator for lowering work equipment	●
Pattern change valve (2 patterns)	
Fine Swing Control System	
Tool kit	
Lower Frame Toolbox - LH	●
Lower Frame Toolbox - LH, RH	
UNDERCARRIAGE	
Rear dozer blade	●
Rear outriggers	
Front outriggers and rear blade	
Front and rear outriggers	
Front dozer blade	
Front blade and rear outriggers	
Front grapple rest and rear blade	
Front grapple rest and rear outriggers	
Trailer hitch preparation kit for rear dozer blade	
Tires-dual (10.00-20-14PR tube)	●
Tires-dual (10.00-20-16PR tube)	
Tires-dual (10.00-20 solid)	
Fenders (Mudguards)	●
Wide axle 2.7 m	

- * Standard and optional equipment may vary. Contact your Hyundai dealer for more information.
- * The machine may vary according to International standards.
- * The photos may include attachments and optional equipment that are not available in your area.
- * Materials and specifications are subject to change without advance notice.



Specifications and design are subject to change without notice. Pictures of Hyundai Construction Equipment Europe products may show other than standard equipment.

Hyundai Construction Equipment Europe nv,
Hyundailaan 4, 3980 Tessenderlo, Belgium.
Tel: (32) 14-56-2200 Fax: (32) 14-59-3405

EN-2021_06 Rev 0

Ready to aim high?

Contact your Hyundai dealer.
hyundai-ce.eu/en/dealer-locator

