

# SPECIFICATIONS

## HT100V CTL

Powered By Hyundai Performance Series Engine



**Net Power**  
69.7 hp (52kW) / 2,400 rpm

**Standard Bucket**  
0.58 yd<sup>3</sup> ( 0.44 m<sup>3</sup>)

**Rated Operating Capacity**  
2,300 lbs (1,043 kg)

ENGINE		
Make/Model	Hyundai / 4HTI4	
Emissions Certification	EPA Tier 4-Final	
Output	SAE J1995 Gross	73.6 hp (54.9 kW) / 2,400 rpm
	SAE J1349 Net	69.7 hp (52 kW) / 2,400 rpm
Displacement	148.6 cu in (2,435 cc)	
Number of Cylinders	4 cylinders	
Bore x Stroke	3.4" (87 mm) x 4.0" (102.4 mm)	
Aspiration	Turbocharged	
After treatment	DOC, DPF (No DEF)	

LOADER PERFORMANCE		
Rated Operating Capacity ~35% tipping load	2,300 lbs (1,043 kg)	
Rated Operating Capacity ~50% tipping load	3,285 lbs (1,490 kg)	
Breakout Force	Bucket	6,204 lbf (2,814 kgf)
	Lift Arm	4,766 lbf (2,162 kgf)
Lift Arm Path	Vertical	
Control	ISO Pilot	

UNDERCARRIAGE		
Track Width	1' 4" (400 mm)	
Ground Pressure	5.6 psi (38.5 kPa)	
Track Rollers (Per Side)	4	
Travel Speed (1-Speed)	N/A	
Travel Speed (2-Speed)	Low	4.7 mph (7.5 km/h)
	High	7.1 mph (11.5 km/h)
Traction Force	6,482 lbf (2,940 kgf)	
Ground Clearance	9" (230 mm)	

HYDRAULIC SYSTEM (STANDARD)	
Hydraulic Flow	21.9 gpm (82.9 lpm)
Hydraulic Pressure	3,335 psi (230 bar)

SERVICE REFILL CAPACITIES	
Hydraulic System	10.0 gal (38 liters)
Engine oil	2.4 gal (9 liters)
Engine coolant (Radiator Included)	2.7 gal (10.4 liters)
Fuel tank	26.4 gal (100 liters)

OPERATOR STATION	
Type	Open and Closed Cab
Sound Inside Closed Cab	83 dB
ROPS	ISO 3471
FOPS	ISO 3449

OPERATING WEIGHT	
Open Cab	Coming Soon
Closed Cab	9,755 lbs (4,425 kg)

## EQUIPMENT

STANDARD EQUIPMENT	
• Enclosed Cab (ROPS/FOPS)	• Hydraulic Quick Coupler
• Mechanical Suspension Seat	• Rubber Wide Track 15.7" (400mm)
• 3" Retractable Seat Belt	• Boom Float Function
• 12V Electric Outlet / USB Outlet	• Dual Air-Cleaner Elements
• Air Conditioner & Heater	• Rearview Camera
• Horn / Backup Alarm	• Bucket Self-leveling (Up Only)
• Driving Lamp (Rear 2)	• Rearview Mirror
• Working Lamp (Front 2)	• Multifunction Lever
• Dial and Foot Throttle	• Interior Cab Light/Courtesy Light
• Bluetooth/USB Radio	• 14-pin Coupler for Attachments
• Telematics (Hi-MATE)	• Ride Control

OPTIONAL EQUIPMENT	
• 2" Retractable Seat Belt*	• Polycarbonate Front Door*
• Side Mirrors	• Fire Extinguisher
• License Lamp	• Tool Kit
• Beacon Lamp	... and much more.
• Driving Lamp (Front 2/Rear 2)	* Factory Option
• Working Lamp (Front 2/Rear 2)	
• Mechanical Quick Coupler*	
• Additional Counterweight	

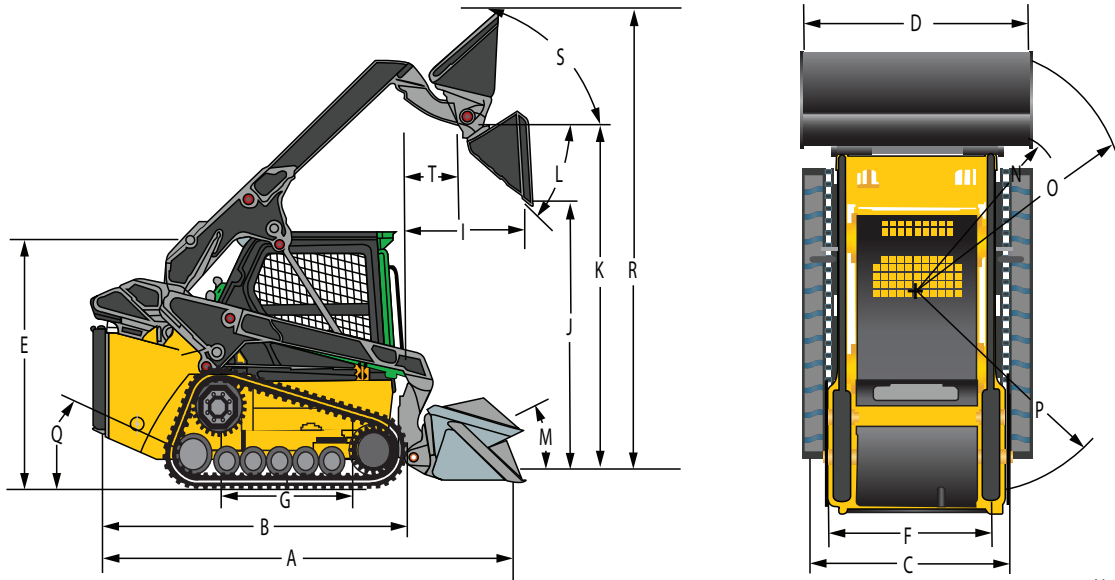
Hyundai will make product improvements from time to time to enhance customer experience and productivity.

# SPECIFICATIONS HT100V

Powered By Hyundai Performance Series Engine

## DIMENSIONS

All dimensions are approximate.



Unit : mm (ft-in)

DIMENSIONS		HT100V
A	Length w/bucket on ground	3,654 (12' 0")
B	Length w/o bucket	2,795 (9' 2")
C	Vehicle width over tire	1,794 (5' 11")
D	Width with bucket	1,890 (6' 3")
E	Height to top of cab	2,078 (6'10")
F	Track tread	1,394 (4' 7")
G	Wheelbase	1,435 (4' 8")
H	Ground clearance	230 (0' 9")
I	Reach at max. lift and dump	916 (3' 0")
J	Height at max. lift and dump	2,468 (8' 1")
K	Hinge pin height at max. lift	3,211 (10' 6")
L	Max. dump angle	44.5°
M	Rollback angle on ground	29°
N	Turning radius from center - coupler	1,672 (5' 6")
O	Turning radius from center - bucket	2,289 (7' 6")
P	Turning radius from center - machine rear	1,720 (5' 8")
Q	Rear departure angle	25°
R	Max. overall height	4,060 (13' 4")
S	Rack back angle at max height	87.2°
T	Bucket pin reach at maximum lift	442 (1' 5")

