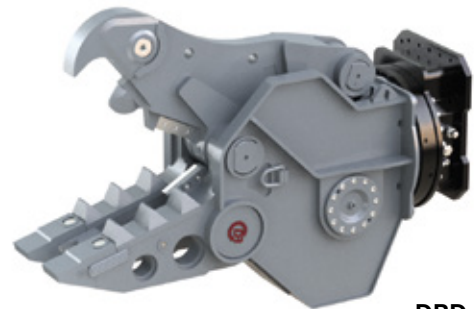


The rotating demolition tools of the Dedicated Demolition Line have been developed for primary and secondary demolition. Their jaws are designed to each application area within a demolition job site: Combi Shear DRC, Demolition Shear DRD or Pulveriser DRP. The patented DemaPower cylinder concept provides up to 20% more power and obviously quicker cycle times.

- ▷ Maximized working speed with the DemaPower cylinder and robust pin suspension, four chamber technique and speed valve.
- ▷ Rotation with additional oil passage.
- ▷ Twin rotation motors for extra rotation power.
- ▷ Swing bearing double pivoted.
- ▷ Rotation circuit filters.
- ▷ Teeth, shrouds and cutting blades exchangeable.
- ▷ Excellent speed/ power to weight ratio.
- ▷ DRP: exchangeable ground tooth-plate.



DRD-25

Rotating Combi Shears DRC

Type	Operating weight	Weight	Jaw width A	Jaw depth E	Lower jaw width B	Upper jaw width C	Height D	Length blades	Closing force*
	(t/lbs)	(kg/lbs)	(mm/in)	(mm/in)	(mm/in)	(mm/in)	(mm/in)	(mm/in)	(t/lbs)
DRC-25	18-25/39600-55000	1880/4136	785/30.9	800/31.5	390/15.4	90/3.5	1995/78.5	400/15.7	85-120 / 187000-264000
DRC-30	22-35/48400-77000	2440/5368	875/34.4	900/35.4	455/17.9	100/3.9	2150/84.6	400/15.7	100-150 / 220000-330000
DRC-45	32-50/70400-110000	3060/6732	990/39	975/38.4	470/18.5	100/3.9	2365/93.1	500/19.7	130-185 / 286000-407000

Rotating Demolition Shears DRD

Type	Operating weight	Weight	Jaw width A	Jaw depth E	Lower jaw width B	Upper jaw width C	Height D	Length blades	Closing force*
	(t/lbs)	(kg/lbs)	(mm/in)	(mm/in)	(mm/in)	(mm/in)	(mm/in)	(mm/in)	(t/lbs)
DRD-25	18-25/39600-55000	1905/4191	825/32.5	800/31.5	390/15.4	90/3.5	2035/80.1	200/7.9	90-145 / 198000-319000
DRD-30	22-35/48400-77000	2435/5357	870/34.3	885/34.8	450/17.7	100/3.9	2155/84.8	200/7.9	105-160 / 231000-352000
DRD-45	32-50/70400-110000	3085/6787	990/39	945/37.2	470/18.5	100/3.9	2360/92.9	200/7.9	130-195 / 286000-429000

Rotating Pulveriser DRP

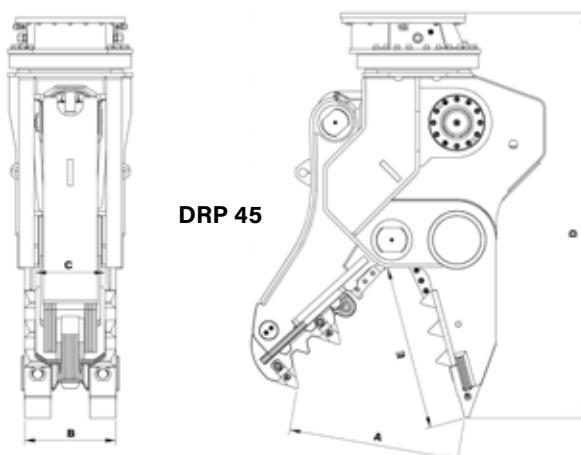
Type	Operating weight	Weight	Jaw width A	Jaw depth E	Lower jaw width B	Upper jaw width C	Height D	Length blades	Closing force*
	(t/ lbs.)	(kg/lbs)	(mm/in)	(mm/ in)	(mm/ in)	(mm/ in)	(mm/ in)	(mm/ in)	(t/lbs)
DRP-25	18-25/39600-55000	1910/4202	790/31.1	800/31.5	390/15.4	325/12.8	1980/78	200/7.9	85-130 / 209000-286000
DRP-30	22-35/48400-77000	2410/5302	860/33.9	885/34.8	450/17.7	350/13.8	2155/84.8	200/7.9	100-150 / 220000-330000
DRP-45	32-50/70400-110000	3125/6875	980/38.6	945/37.2	470/18.5	400/15.7	2360/92.9	200/7.9	130-185 / 286000-407000

* closing force measured at front tooth / splitting tooth

Hydraulics

Type	Open / close		Rotation		Cycle times (open / close) (sec)
	Pressure max. (bar/psi)	Flow (l/min)	Pressure max. (bar/psi)	Flow (l/min)	
DRC-25 / DRD-25 / DRP-25	380 / 5510	120 - max. 200 / 32 - max. 53	140 / 2030	40 - max. 60 / 10.5 -max 16	2,0 / 2,3
DRC-30 / DRD-30 / DRP-30	380 / 5510	150 - max. 250 / 40 - max. 66	140 / 2030	40 - max. 60 / 10.5 -max 16	2,0 / 2,5
DRC-45 / DRD-45 / DRP-45	380 / 5510	200 - max. 300 / 53 -max. 79.5	140 / 2030	40 - max. 60 / 10.5 -max 16	2,0 / 2,9

Technical drawing



DRP 45



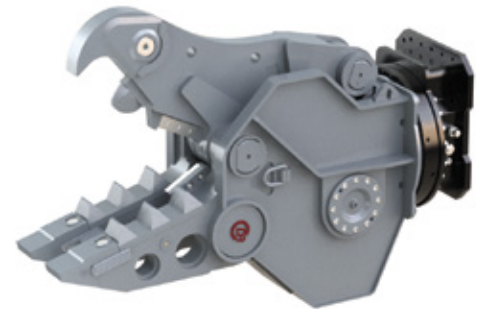
DRC-25
Combi Shear

DRD-25
Demolition Shear

DRP-25
Pulveriser

The rotating demolition tools of the Dedicated Demolition Line have been developed for primary and secondary demolition. The patented DemaPower cylinder concept provides up to 20% more power and obviously quicker cycle times. Their jaws are designed to each application area within a demolition job site: Combi Shear DRC, Demolition Shear DRD or Pulveriser DRP.

- ▷ Maximized working speed with the DemaPower cylinder and robust pin suspension, four chamber technique and speed valve.
- ▷ Rotation with additional oil passage.
- ▷ Twin rotation motors for extra rotation power.
- ▷ Swing bearing double pivoted.
- ▷ Rotation circuit filters.
- ▷ Teeth, shrouds and cutting blades exchangeable.
- ▷ Excellent speed/ power to weight ratio.
- ▷ DRP: exchangeable ground tooth-plate.



Rotating Combi Shears DLC

Type	Operating weight	Weight	Jaw opening A	Jaw depth E	Lower jaw width B	Upper jaw width C	Height D	Length blades	Closing force*
	(t/lbs)	(kg/lbs)	(mm/in)	(mm/in)	(mm/in)	(mm/in)	(mm/in)	(mm/in)	(t/lbs)
DRC-45	32-50/ 70400-110000	3060 / 6732	990 / 39.0	975 / 38.4	470 / 18.5	100 / 3.9	2365 / 93.1	500 / 19.7	130/185 / 286000/407000

Rotating Demolition Shears DLD

Type	Operating weight	Weight	Jaw opening A	Jaw depth E	Lower jaw width B	Upper jaw width C	Height D	Length blades	Closing force*
	(t/lbs)	(kg/lbs)	(mm/in)	(mm/in)	(mm/in)	(mm/in)	(mm/in)	(mm/in)	(t/lbs)
DRD-45	32-50/ 70400-110000	3085 / 6787	990 / 39.0	945 / 37.2	470 / 18.5	100 / 3.9	2360 / 92.9	200 / 27.9	130/195 / 286000/429000

Rotating Pulveriser DLP

Type	Operating weight	Weight	Jaw opening A	Jaw depth E	Lower jaw width B	Upper jaw width C	Height D	Length blades	Closing force*
	(t/lbs)	(kg/lbs)	(mm/in)	(mm/in)	(mm/in)	(mm/in)	(mm/in)	(mm/in)	(t/lbs)
DRP-45	32-50/ 70400 110000	3125 / 6875	980 / 38.6	945 / 37.2	470 / 18.5	400 / 15.7	2360 / 92.9	200 / 7.9	130/185 / 286000/407000
DRP-60	45-65/ 99000-143000	4100 / 9020	1150 / 45.3	1020 / 40.2	565 / 22.2	450 / 17.7	2550 / 100.4	250 / 9.8	150/205 / 330000/451000

* closing force measured at front tooth / splitting tooth

Hydraulics

Type	Open / close		Rotation		Cycle times (open / close) (sec)
	Pressure max. (bar/ psi)	Flow (l/min/ GPM)	Pressure max. (bar/ psi)	Flow (l/min/ GPM)	
DRC-45/DRD-45/DRP-45	380 / 5510	200 - max.300 / 53 - max.79.5	140 / 2030	40 - max.60 / 10.5 - max.16	2,0 / 2,9
DRP-60	380 / 5510	300 - max.400 / 79.5 - max.105	140 / 2030	40 - max.60 / 10.5 - max.16	2,0 / 2,8

Technical drawings

