

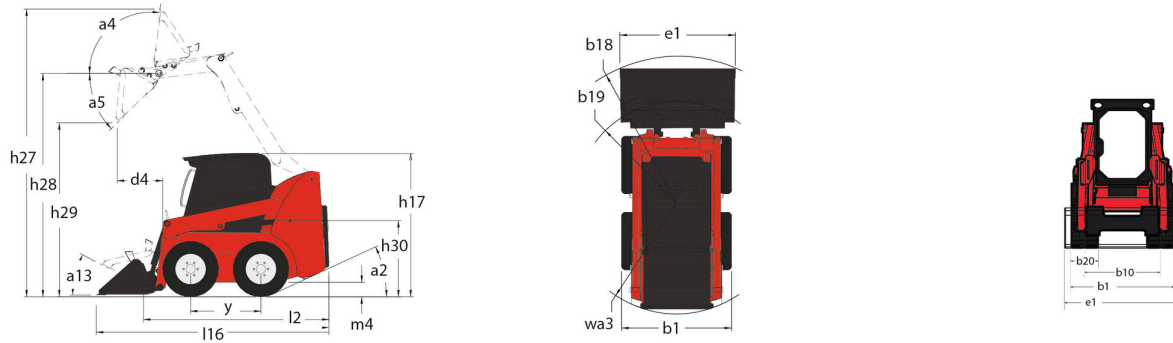
Technical sheet :

4200 V



Capacities		Imperial
Rated Operating Capacity		4200 lb
Unladen weight		11665 lb
Weight and dimensions		
Overall Operating Height - Fully Raised	h27	187 in
Height to Hinge Pin - Fully Raised	h28	144 in
Overall Height to Top of ROPS	h17	82 in
Dump angle at full height	a5	31 °
Dump height	h29	115 in
Overall length with bucket	l16	159 in
Dump reach - Full height		39 in
Rollback at ground		31 °
Seat to ground height	h30	41 in
Wheelbase	y	55 in
Overall width less bucket	b1	79 in
Bucket Width	e1	84 in
Ground clearance	m4	7 in
Overall length - Less Bucket	l2	121 in
Departure angle	a2	19 °
Clearance Circle - Front without Bucket	b19	51 in
Clearance Circle - Rear	wa1	71 in
Performances		
Travel Speed with Two-Speed Option - Maximum		12 mi/h
Travel speed (unladen)		7 mi/h
Wheels		
Standard tyres		14x17.50 HD
Engine		
Engine brand		Deutz
Engine model		TCD 3.6
Gross Power (kW)		74 kW
Net Power (kW)		97.20 kW
Max. torque / Engine rotation		442 Nm / 2200 rpm
Battery		12 V
Alternator		130 kW
Starter (kW)		2.30 kW
Hydraulics		
High-Flow Auxiliary Hydraulics - Option		154 l/min
Tank capacities		
Fuel tank		10 US gal
Reservoir Capacity Hydraulics		17 US gal
Displacement		1 US gal
Noise and vibration		
Environmental noise (LWA)		101 dB
Noise at driving position (LpA)		85 dB
Whole-Body Vibration (ISO 2631-1)		0.79 m/s ²
Vibration to whole hand/arm		< 1.20 m/s ²

4200 V - Dimensional drawing



Equipment

—	
Integral Access Plate (removable)	Standard
Lifting function	
All-Tach® Attachment Mounting System	Standard
Auxiliary Hydraulics	Standard
High-Flow Auxiliary Hydraulics	Standard
Power-A-Tach® Attachment Mounting System	Standard
Lighting	
Work Lights - Front and Rear	Standard
Motorization/Power	
Engine Auto-Shutdown System	Standard
Engine Block Heater	Standard
Swing-Out Cooler	Standard
Turbo-Charged Engine	Standard
Two-Speed Drive	Standard
Operator station	
Adjustable Arm Rests / Control Towers 1	Standard
Air conditioning with manual adjustment	Standard
Air suspension seat	Standard
Cab Enclosure	Optional
Foot and Hand Throttles 2	Standard
Heating	Standard
High-Back Adjustable Seat	Standard
Horn	Standard
Joystick controls	Standard
ROPS/FOPS Level II Overhead Guard	Standard
Other options	
Hydrostatic Drive - Servo	Standard
Selectable Self-Leveling Hydraulic Lift Action 4	Standard
Safety	
Anti-Vandalism Protection	Standard
Back-Up Alarm	Standard
Brake Control (Auto / Manual)	Standard
Hydraloc™ Safety System	Standard
Lift Arm Support Device	Standard
Operator Restraint Bar	Standard
Secondary functions	
Full Instrumentation	Standard
Hydraglide™ Ride Control 3	Standard



Siège Social

430 rue de l'Aubinière - 44150 Ancenis Cedex - France

Tel: +33(0)2 40 09 10 11 - Fax: +33 (0)2 40 09 10 97

www.manitou.com



This brochure describes versions and configuration options for Manitou products which may be fitted with different equipment. The equipment described in this brochure may be standard, optional or not available depending on version. Manitou reserves the right to change the specifications shown and described at any time and without prior warning. The manufacturer is not liable for the specifications given. For more information, contact your Manitou dealer. Non-contractual document. Product descriptions may differ from actual products. List of specifications is not comprehensive. The logos and visual identity of the company are the property of Manitou and may not be used without authorisation. All rights reserved. The photos and diagrams contained in this brochure are provided for information only.

MANITOU BF SA - Limited company with board of directors - Share capital: 39,668,399 euros - 857 802 508 RCS Nantes