

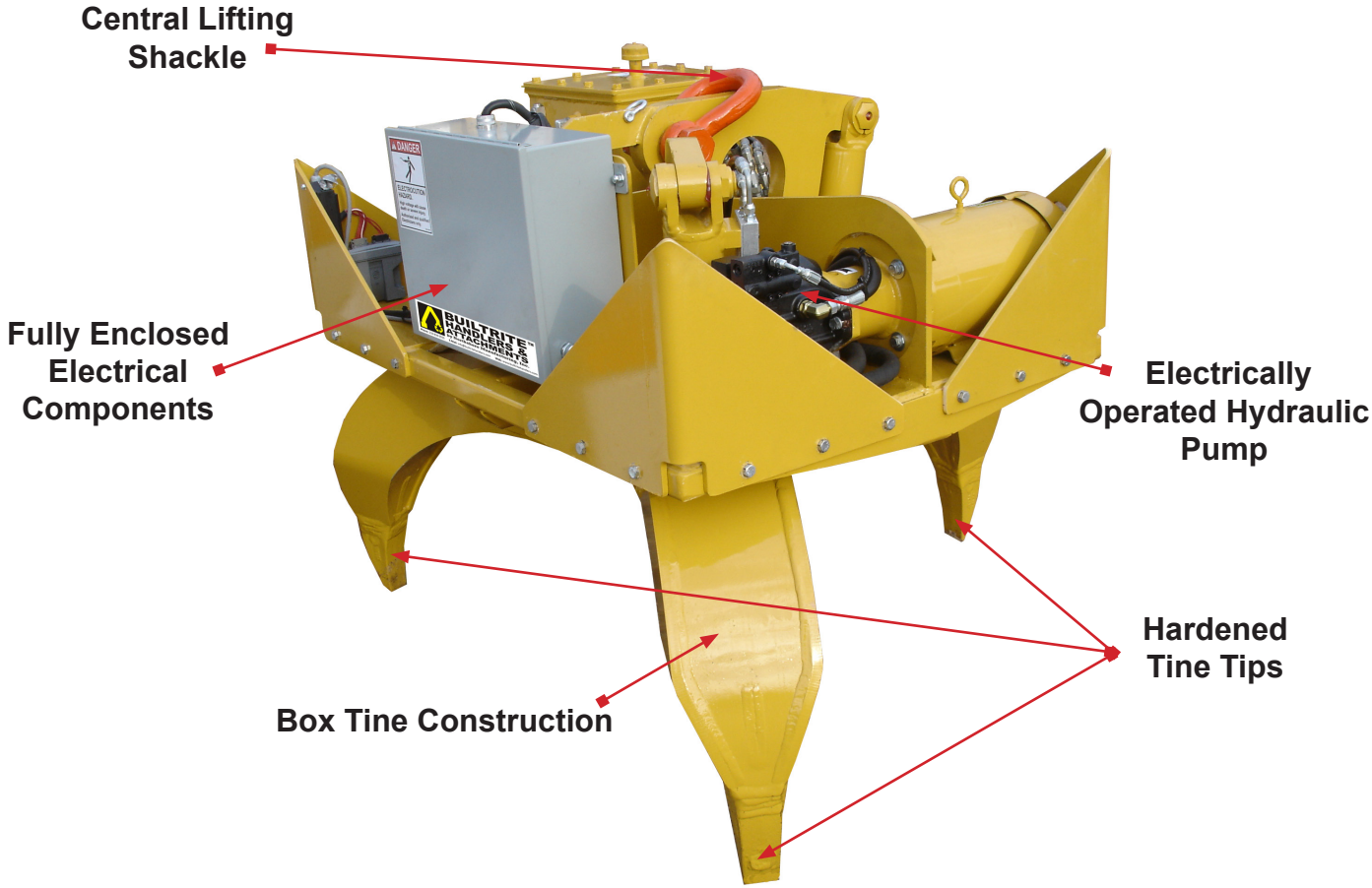
Scrap Grapples

3 Tine, Self Contained Orange Peel

The **Builtrite, Self Contained, 3-Tine Orange Peel Grapple** is designed with the professional scrap processor in mind to provide maximum durability and low maintenance, reducing your downtime. This grapple is specifically designed to clean out debris caught in the feed hopper of indoor stationary shredders and shears, making this task much faster and safer. Key features include:

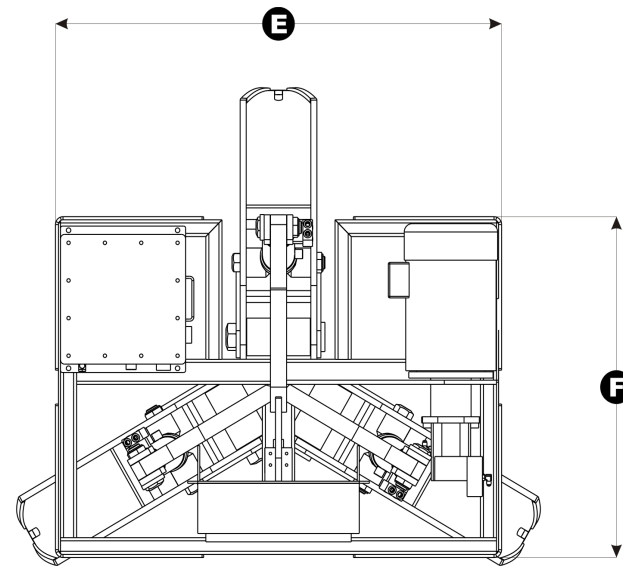
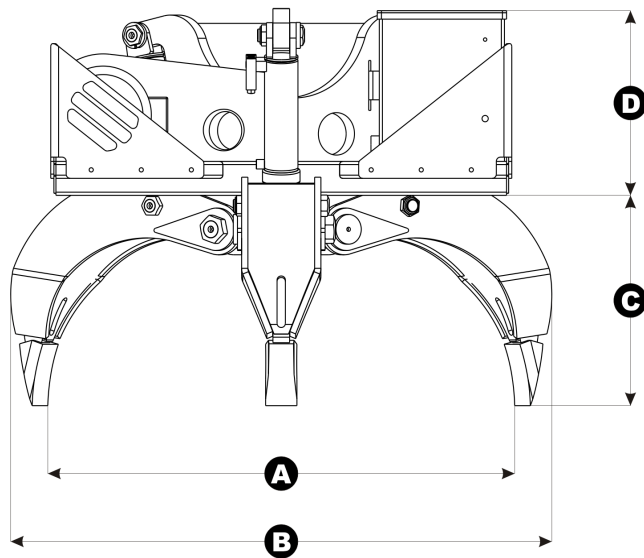
- Fully self contained with radio remote control...can be operated by the shredder operator, reducing labor cost.
- Grapple arms constructed of high strength, abrasion resistant steel. Tine tips made from hardened bucket teeth that are easy to replace.
- Oversized, hardened cylinder and pivot pins.
- Easily accessible, yet well protected grease zerks.

If you're looking for the toughest, most durable grapple on the market, look no further...make it a **Builtrite**.



3 - Tine, Self Contained Orange Peel Grapple Specifications

Model	Weight		Opening (A)		Width @ Full Open (B)		Height of Tines @ Full Open (C)		Height of Upper Head (D)		Width of Upper Head (E)		Height of Upper Head (F)	
	Lbs.	Kg.	in.	mm	in.	mm	in.	mm	in.	mm	in.	mm	in.	mm
3T-SCG	1,500	682	55	1,400	57	1450	23	584	23	584	54	1,370	55	1,400



BUILTRITE MANUFACTURING RESERVES THE RIGHT TO CHANGE SPECIFICATIONS AND PRICES WITHOUT NOTICE IN ORDER TO FOLLOW ITS POLICY OF CONSTANTLY STRIVING TO MANUFACTURE A BETTER PRODUCT WITHOUT INCURRING ANY LIABILITY TO PROVIDE THESE NEW FEATURES ON ANY UNITS PREVIOUSLY MANUFACTURED.

Builtrite Manufacturing

530 Recycle Center Drive, Two Harbors, Minnesota, U.S.A. 55616

Web: www.builtritehandlers.com E-Mail: info@builtritehandlers.com Phone: 218-834-5555 Fax: 218-834-5556