

Technical sheet :

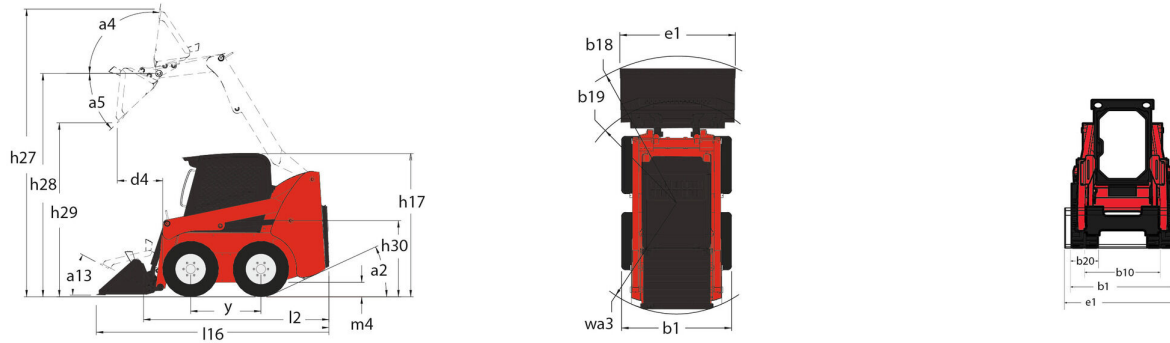
# **2600 R**

---



<b>Capacities</b>		<b>Imperial</b>
Rated Operating Capacity		2599 lb
Rated Operating Capacity with Optional Counterweight		2780 lb
Unladen weight		8199 lb
<b>Weight and dimensions</b>		
Overall Operating Height - Fully Raised	h27	161 in
Height to Hinge Pin - Fully Raised	h28	123 in
Overall Height to Top of ROPS	h17	81 in
Dump angle at full height	a5	40 °
Dump height	h29	98 in
Overall length with bucket	l16	143 in
Dump reach - Full height		27 in
Rollback at ground		28 °
Seat to ground height	h30	40 in
Wheelbase	y	49 in
Overall width less bucket	b1	66 in
Bucket Width	e1	8 in
Ground clearance	m4	8 in
Overall length - Less Bucket	l2	111 in
Departure angle	a2	25 °
Clearance Circle - Front without Bucket	b19	56 in
Clearance Circle - Rear	wa1	64 in
<b>Performances</b>		
Travel Speed with Two-Speed Option - Maximum		12 mi/h
Travel speed (unladen)		8 mi/h
<b>Wheels</b>		
Standard tyres		12.00x16.5 HD
<b>Engine</b>		
Engine brand		Yanmar
Engine model		4TNV98CTNMS
Gross Power (kW)		53.70 kW
Net Power (kW)		52.70 kW
Max. torque / Engine rotation		294 Nm / 2500 rpm
Battery		12 V
Alternator		95 kW
Starter (kW)		3 kW
<b>Hydraulics</b>		
Standard flow - Auxiliary hydraulics		90.10 l/min
Auxiliary Hydraulic Pressure		3300 PSI
High-Flow Auxiliary Hydraulics - Option		132.50 l/min
High-Flow Auxiliary Hydraulics Pressure - Option		3200 PSI
<b>Tank capacities</b>		
Fuel tank		22 US gal
Reservoir Capacity Hydraulics		8 US gal
Displacement		1 US gal
<b>Noise and vibration</b>		
Environmental noise (LwA)		101 dB
Noise at driving position (LpA)		85 dB
Whole-Body Vibration (ISO 2631-1)		0.96 m/s <sup>2</sup>
Vibration to whole hand/arm		< 1.50 m/s <sup>2</sup>

## 2600 R - Dimensional drawing



## Equipment

—	
Integral Access Plate (removable)	Standard
<b>Lifting function</b>	
All-Tach® Attachment Mounting System	Standard
Auxiliary Hydraulics	Standard
High-Flow Auxiliary Hydraulics	Optional
Power-A-Tach® Attachment Mounting System	Optional
<b>Lighting</b>	
Work Lights - Front and Rear	Standard
<b>Motorization/Power</b>	
Engine Auto-Shutdown System	Standard
Engine Block Heater	Optional
Turbo-Charged Engine	Standard
Two-Speed Drive	Optional
<b>Operator station</b>	
Adjustable Arm Rests / Control Towers 1	Standard
Air conditioning with manual adjustment	Optional
Air suspension seat	Optional
Cab Enclosure	Optional
Dual-Hand Controls	Optional
Foot and Hand Throttles 2	Standard
Gehl T-Bar Controls	Optional
Hand/Foot Controls	Optional
Heating	Optional
High-Back Adjustable Seat	Standard
Horn	Standard
Joystick controls	Optional
ROPS/FOPS Level II Overhead Guard	Standard
Sound Reduction Material	Standard
Suspension Seat - Mechanical	Optional
<b>Other options</b>	
Hydrostatic Drive - Servo	Standard
Selectable Self-Leveling Hydraulic Lift Action 4	Optional
<b>Safety</b>	
Back-Up Alarm	Standard
Brake Control (Auto / Manual)	Standard
Hydraloc™ Safety System	Standard
Lift Arm Support Device	Standard
Operator Restraint Bar	Standard
<b>Secondary functions</b>	
Counterweight	Optional
Full Instrumentation	Standard
Hydraglide™ Ride Control 3	Optional



Siège Social

430 rue de l'Aubinière - 44150 Ancenis Cedex - France

Tel: +33(0)2 40 09 10 11 - Fax: +33 (0)2 40 09 10 97

[www.manitou.com](http://www.manitou.com)



This brochure describes versions and configuration options for Manitou products which may be fitted with different equipment. The equipment described in this brochure may be standard, optional or not available depending on version. Manitou reserves the right to change the specifications shown and described at any time and without prior warning. The manufacturer is not liable for the specifications given. For more information, contact your Manitou dealer. Non-contractual document. Product descriptions may differ from actual products. List of specifications is not comprehensive. The logos and visual identity of the company are the property of Manitou and may not be used without authorisation. All rights reserved. The photos and diagrams contained in this brochure are provided for information only.

MANITOU BF SA - Limited company with board of directors - Share capital: 39,668,399 euros - 857 802 508 RCS Nantes