

# STUMP GRINDERS



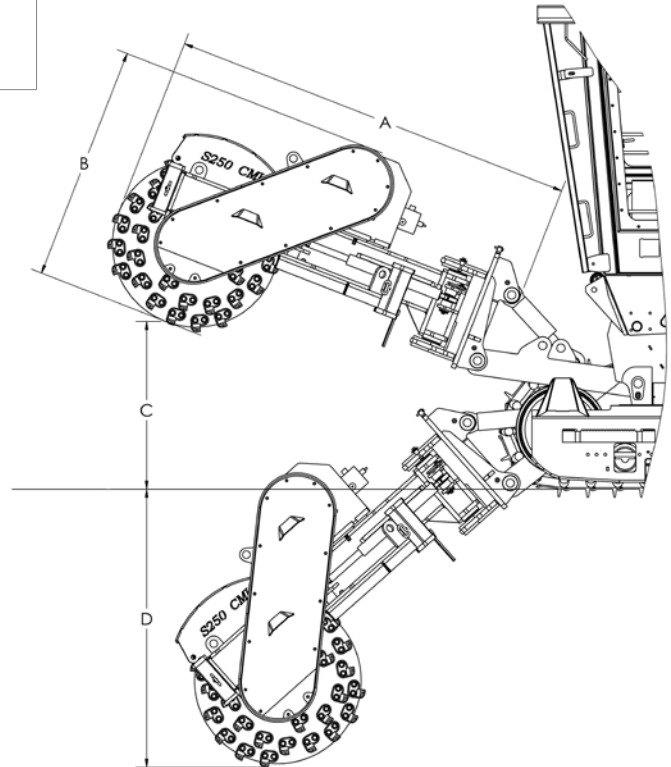
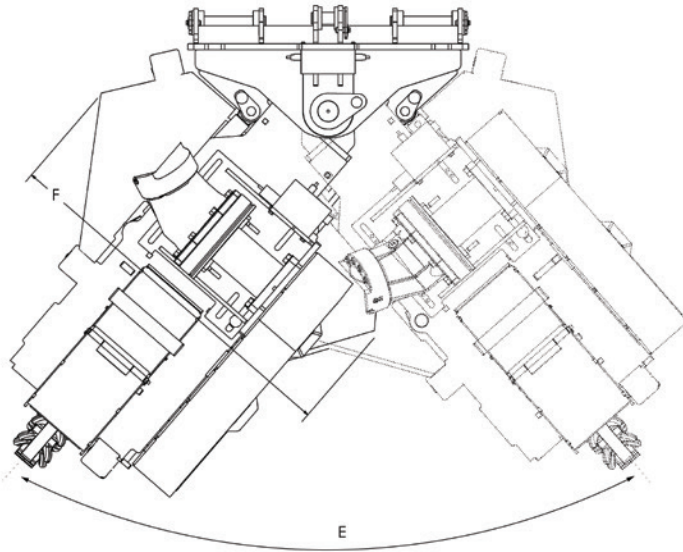
The Mulching Specialists

PERFORMANCE | RELIABILITY | SIMPLICITY

## SPECIFICATIONS

### STANDARD CHARACTERISTICS

- High cutting torque
- Smooth cut
- Piloted teeth providing a better support
- Tooth pattern designed to reduce impacts
- Wire catching device protecting bearings



	<b>S250 HD</b> Driven by our C300	<b>S400 HD</b> Driven by our C400L	<b>S400 HD</b> Driven by our C475
Cutting Diameter & Width	40 in x 7 in (101.6 cm x 18 cm)	40 in x 7 in (101.6 cm x 18 cm)	40 in x 7 in (101.6 cm x 18 cm)
Number of Teeth	64	64	64
Weight	5 880 lb (2 627 kg)	6 028 lb (2 740 kg)	6 028 lb (2 740 kg)
Overall Length attachment (A)	93 in (236 cm)	96.6 in (245 cm)	96.6 in (245 cm)
Overall Height attachment (B)	54.6 in (139 cm)	54.6 in (139 cm)	54.6 in (139 cm)
Cutting Height (C)	37 in (94 cm)	47 in (120 cm)	82 in (208 cm)
Cutting Depth (D)	63 in (160 cm)	47.5 in (121 cm)	50 in (127 cm)
Side to side cutter swing (E)	85 in (216 cm)	85 in (216 cm)	85 in (216 cm)
Overall Width attachment (F)	61.25 in (155 cm)	61.25 in (155 cm)	61.25 in (155 cm)

CMI Mulching inc.  
1200 Chemin Herman-Lavigne | Saint-Cyrille-De-Wendover, QC, Canada J1Z 1S4  
819 397-2288 | [www.cmimulching.com](http://www.cmimulching.com)

*C.M.I. reserves the right to change specifications, design and price of products described in this literature without notice. C.M.I., S250, S400, C300, C400L and C475 are registered trademarks of C.M.I. Danri inc. Printed in Canada.*