

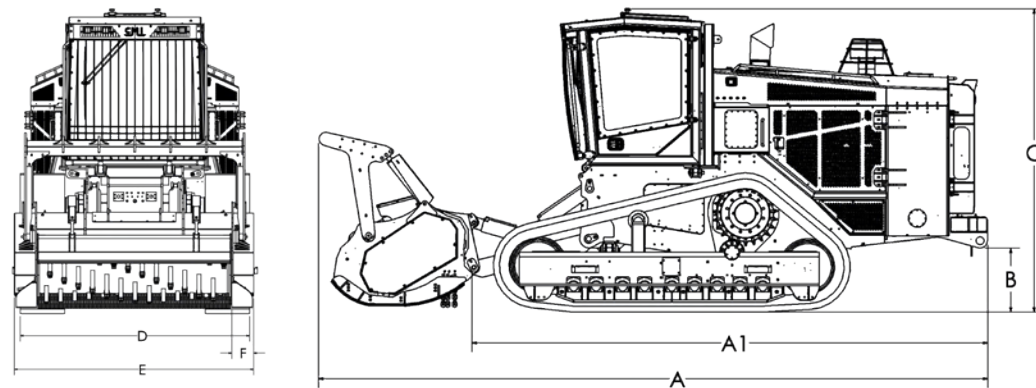


C475

SPECIFICATIONS

ENGINE	
Manufacturer & Model	Caterpillar C 13 Tier 4 Final
Cylinders & Displacement	6 cylinders / 762.8 CID (12.5 L)
Net rated power at 2100 rpm (SAE J1995)	475 hp (354 kW)
Net Peak Torque	1 605 ft-lbf (2 176 Nm)
Fan	Automatic variable pitch, reversible
HYDRAULICS	
Pump System	4
Filtration	10 Microns
ELECTRICAL	
Voltage	12 Volts
Standard Light	8 LED type (4 Front, 2 Side, 2 Rear)
SERVICEABILITY	
Fuel Tank	208 gal US (790 L)
Hydraulic Reservoir	102 gal US (385 L)
Cooling System	14 gal US (54 L)

UNDERCARRIAGE & GROUND PRESSURE	
Chain Type & Size	Seal and Lube, D-6N with an elevated final drive design
Track Shoe & Rollers	28 in (710 mm) single grouser with mud hole, dozer type rollers. 34 in (860 mm) pads optional.
Ground Pressure (Crawler only, 28 in pads)	6.15 psi (0.43 kg/cm ²)
Weight (Crawler only, 28 in pads)	46 225 lb (20 967 kg)
Ground Pressure (Crawler only, 34 in pads)	5.17 psi (0.36 kg/cm ²)
Weight (Crawler only, 34 in pads)	47 225 lb (21 466 kg)
TOP SPEED	
Motor	Two speed hydraulic motors
Speed	Variable speed from 0 to 5.2 mph (0 to 8.4 km/h)
STANDARD CHARACTERISTICS	
- Push button cab lift with manual override	- Hydraulic oil filler pump
- Backup camera	- Air suspension seat
- AM/FM/Bluetooth radio	- ROPS/FOPS/OPS Certification
	- 12 Volts DC outlet



MACHINE DIMENSIONS

A - Overall Length with mulcher head (*): 296 in (752 cm)

A1 - Overall Length: 234 in (594 cm)

B - Ground Clearance: 21 in (53 cm)

C - Overall Height: 136 in (345 cm)

D - Overall width, 28 in (710 mm) pads: 112 in (284 cm)

D - Overall width, 34 in (860 mm) pads: 118 in (300 cm)

E - Mulching head overall width (*): 120.9 in (307 cm)

(E-2F) - Mulching head working width (*): 102.2 in (254 cm)

(*) - Specs for FAE 300U250 head; Dimensions will vary if other type of head is selected

CMI Mulching inc.
1200 Chemin Herman-Lavigne | Saint-Cyrille-De-Wendover, QC, Canada J1Z 1S4
819 397-2288 | www.cmimulching.com

C.M.I. reserves the right to change specifications, design and price of products described in this literature without notice. C.M.I. and C475 are registered trademarks of C.M.I. Danri inc. Printed in Canada.

C475



The Mulching Specialists

PERFORMANCE | RELIABILITY | SIMPLICITY

C475

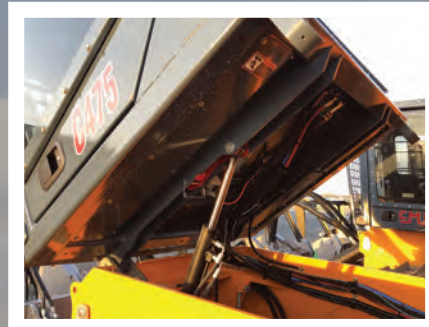
NEW CAB



NEW DIGITAL SCREEN FOR EASY DATA ACCESS AND DIAGNOSTIC

NEW ERGONOMIC LAYOUT

12 VOLTS DC OUTLET



PUSH BUTTON CAB TILT FOR EASY ACCESS TO COMPONENTS & HYDRAULIC OIL FILLING PUMP

AM/FM/BLUETOOTH RADIO

AIR SUSPENSION SEAT

PRESSURISED CABIN WITH INTEGRATED HEAVY DUTY PRE-CLEANER



GREAT VISIBILITY

PERSONALIZED CONFIGURATION:
CONFIGURE WITH S400 STUMP GRINDER OR THE TYPE OF MULCHING HEAD THAT FITS YOUR APPLICATION BEST



HIGH EFFICIENCY COOLING PACKAGE WITH COARSE FINNS FOR EASY CLEANING

HEAVY DUTY REAR BUMPER WITH INTEGRATED TOOL BOX

HIGH DRIVE TO KEEP MOVING PARTS AWAY FROM DIRT

HIGH PITCH OSCILLATION FOR GREAT HANDLING & COMFORT IN DIFFICULT TERRAIN

HEAVY DUTY TRACK FRAME COMPONENTS THAT HAVE BEEN PROVEN FOR DECADES IN THE PIPELINE INDUSTRY

FULL ROCK GUARD PROTECTION

