



RT 400
WITH UZM700
MULCHER



ENGINE

Engine	Deutz TCD 2015
Power	294 kW / 400 HP
Displacement	12 l
Max. torque	2000 Nm
Fuel tank	760 l

TRANSMISSION

Hydraulic pumps and motors	Bosch Rexroth
Hydraulic tank	160 l
Max. speed	5.5 km/h (3.42 mph)

UNDERCARRIAGE

Undercarriage type	D5	
Grouser shoes	one blade / dual blade	
	Grouser (mm / in)	Total width (mm / in)
D5:	600 / 24	2600 / 102
		Track width (mm / in)
		2000 / 79

OPTIONS

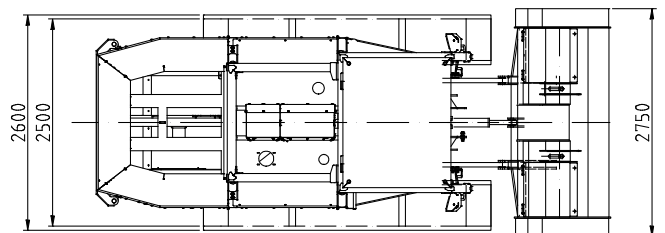
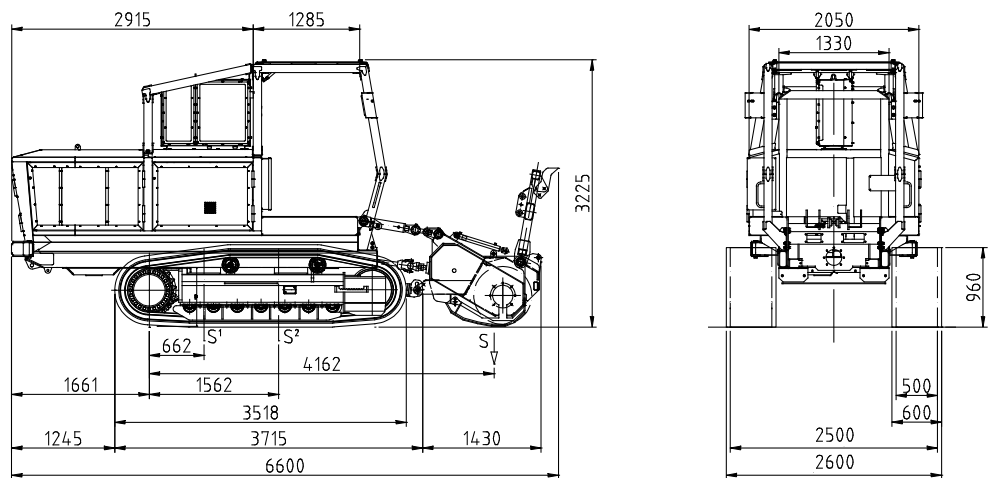
ROPS / FOPS
Over pressure system
LED working lights
Compressed air system
Auxiliary heating
Refuelling pump
Float position
Maximum load control
Fire extinguishing system
Tool kit
etc.

ATTACHMENTS

UZM 700	4620 kg (10185 lbs)
Rotor	56 x HDT
Working width	2300 mm (90.6 in)
H600	5240 kg (11773 lbs)
Rotor	28 x HDT
Working width	2300 mm (90.6 in)

WEIGHT AND MOBILITY

D5:	with UZM700	20620 kg (45459 lbs)
	without Mulcher	16000 kg (36376 lbs)
Ground pressure:		
D5:	600 mm grouser	391 g/cm ² (5.6 psi)
Gradeability sideways		30°
Gradeability frontal		45°



TECHNICAL DATA

Prinoth