



**BIOMASS
HARVESTER**
THE NEXT GENERATION



Prinoth

Sales and service points in your area can be found at www.ahwi.com or www.prinoth.com

AHWI Maschinenbau GmbH
Im Branden 15
D-88634 Herdwangen
Tel. +49 (0)7557 9212-0
Fax +49 (0)7557 9212-92
ahwi@prinoth.com

PRINOTH AG
Brennerstraße 34
I-39049 Sterzing (BZ)
Tel. +39 0472 72 26 22
Fax +39 0472 72 26 18
prinoth@prinoth.com

PRINOTH Ltd. - North American Headquarters
1001, J.-A.-Bombardier Street
Granby, Quebec, Canada, J2J 1E9
Tel. +450 776 3600
Fax +450 776 3685
prinoth.canada@prinoth.com

Prinoth



HARVEST BIOMASS WITH THE SYSTEM

Pinoth

H600 »

The biomass harvester H600 is a robust attachment for biomass recovery which can be quickly and easily connected through standardised Category III lifting gear to all current carrier vehicles in the power range 240-400 HP as well as to other carrier vehicles such as the crawler tractor RT400 from AHWI. While being pushed, the advancing rotor gathers lying biomass and standing vegetation with up to 25 cm stem diameter. Depending

on the requirement, it can be equipped with various specialised tools from AHWI. The additional feeding rolls guarantee optimal material infeed. Secondary shredding elements integrated into the housing prevent clogging and ensure the best material quality.





LARGE SURFACE BIOMASS RECOVERY

PROCESS CHAIN WITH CONVENTIONAL TECHNOLOGY »

- 1 Felling the biomass – Harvester
- 2 Transport to collection point – Forwarder
- 3 Hacking the biomass – Hacker
- 4 Transport to end consumer – Tip lorry

PROCESS CHAIN WITH THE AHWI BIOMASS HARVESTER »

- 1 Recover and shred the biomass in one step
- 2 Transport to end consumer by integrated logistics system





**THE INTEGRATED
BIOMASS
HARVESTER**



KANGAROO »

The self-propelled biomass harvester Kangaroo has been developed to recover biomass from standing or fallen stands. The attachment head H600 is fitted with two horizontal feeding rolls and one vertical roll on each side and is carried and driven by the BMH480 carrier vehicle with 475 HP. The integrated high tilt collection bin of the BMH480 has a capacity of 25 m³. Air conditioning, air cushioned comfort seat and GPS system offer the driver the

most comfortable work surroundings. Safety is provided by a forestry protection frame with brush guard, reversing camera and fire extinguishing system.

H600

DRIVE

Power take-off gear	through carrier PTO shaft
Rotor	power belt
Screw	conveyor
Blower	power belt / power take-off gear
Input speed	1,000 - 1,300 rpm
	1,000 - 1,300 rpm
Required HP	230 - 400 HP

ROTOR

Diameter	600 mm / 23.622 in
Working width	2,300 mm / 90.551 in
Tools, 1st level	HDT01.A
Amount	28 pieces
Tools, 2nd level	HDT01.A
Amount	28 pieces
Tools/weld-on teeth	46.BFZ 25.G
Amount	28 pieces

LIFTING GEAR

Category	standardised 3-point hitch
	CAT 3 / CAT 4

HYDRAULIC FUNCTIONS

- Electro-hydraulic control block
- Electro-hydraulic operation of:
 - Adjustable height skids
 - Discharge flap
 - Raise/lower blower turret
 - Swivel blower turret

DETAILS H600

Length	2,300 mm / 90.551 in
Width	2,830 mm / 111.42 in
Height	4,600 mm (extended) / 181.10 in
Weight	5,340 kg / 11,772.69 lb
Loading height	3,700 mm / 145.67 in
Amount	12 pieces

We reserve the right to carry out modifications in the context of continuing technical development.

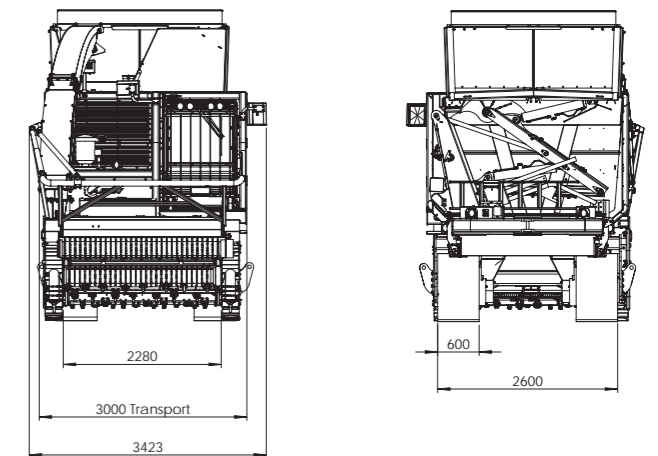
Caterpillar® is a registered trademark.

KANGAROO

Width (with harvester)	2,950 (3,000) mm / 116.14 (118.11) in
Length (with harvester)	7,500 (9,200) mm / 295.28 (362.20) in
Height in work position	4,500 mm / 177.17 in
Weight	22,900 kg / 50,485.8 lb
(with harvester)	28,200 kg / 62,170.4 lb
Top speed	5 km/h / 3.10 mph
Turning radius	0 m / 0 m
Climbing ability	upwards/downwards 30°
	sideways 30°
Loading height	3.9 m
Collection bin capacity	25 m³
Diesel tank	850 l
Cat C15 Diesel Tier III engine	475 HP
Onboard computer with colour display	

Additional options:

Auxiliary heating, special equipment for extreme cold, maximum load control, fire extinguishing system, GPS system, internal or external refuelling unit, centralised lubrication system, weighing system for collection bin, radio etc.



**TECHNICAL
DATA**

