

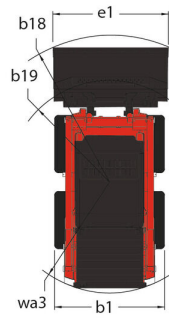
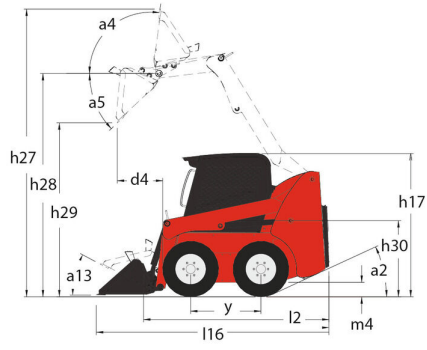
Technical sheet :

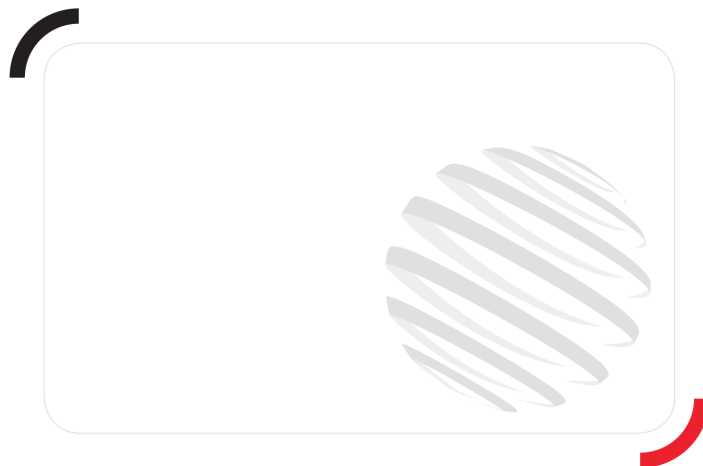
1350 R NXT2



Capacities		Imperial
Rated Operating Capacity		1349 lb
Rated Operating Capacity with Optional Counterweight		1499 lb
Unladen weight		5256 lb
Weight and dimensions		
Overall Operating Height - Fully Raised	h27	144 in
Height to Hinge Pin - Fully Raised	h28	110 in
Overall Height to Top of ROPS	h17	76 in
Dump angle at full height	a5	40 °
Dump height	h29	84 in
Overall length with bucket	l16	121 in
Dump reach - Full height		23 in
Rollback at ground		28 °
Seat to ground height	h30	34 in
Wheelbase	y	37 in
Overall width less bucket	b1	54 in
Bucket Width	e1	54 in
Ground clearance	m4	666 ft
Overall length - Less Bucket	l2	93 in
Departure angle	a2	25 °
Clearance Radius - Front with Bucket	b18	73 in
Clearance Circle - Front without Bucket	b19	44 in
Clearance Circle - Rear	wa1	54 in
Performances		
Travel speed (unladen)		8 mi/h
Wheels		
Standard tyres		10.00x16.5 HD
Engine		
Engine brand		Yanmar
Engine model		4TNV88C-KMS
Gross Power (kW)		34.30 kW
Max. torque / Engine rotation		146.20 Nm / 2800 rpm
Battery		12 V
Alternator		100 kW
Starter (kW)		2.30 kW
Hydraulics		
Standard flow - Auxiliary hydraulics		63.60 l/min
Auxiliary Hydraulic Pressure		3002 PSI
Tank capacities		
Fuel tank		16 US gal
Reservoir Capacity Hydraulics		9 US gal
Displacement		1 US gal
Coolant system capacity		2 US gal
Noise and vibration		
Environmental noise (LwA)		82 dB
Noise at driving position (LpA)		100 dB
Whole-Body Vibration (ISO 2631-1)		0.81 m/s ²
Vibration to whole hand/arm		< 1.90 m/s ²

1350 R NXT2 - Dimensional drawing





Siège Social

430 rue de l'Aubinière - 44150 Ancenis Cedex - France

Tel: +33(0)2 40 09 10 11 - Fax: +33 (0)2 40 09 10 97

www.manitou.com



This brochure describes versions and configuration options for Manitou products which may be fitted with different equipment. The equipment described in this brochure may be standard, optional or not available depending on version. Manitou reserves the right to change the specifications shown and described at any time and without prior warning. The manufacturer is not liable for the specifications given. For more information, contact your Manitou dealer. Non-contractual document. Product descriptions may differ from actual products. List of specifications is not comprehensive. The logos and visual identity of the company are the property of Manitou and may not be used without authorisation. All rights reserved. The photos and diagrams contained in this brochure are provided for information only.

MANITOU BF SA - Limited company with board of directors - Share capital: 39,668,399 euros - 857 802 508 RCS Nantes