

Technical sheet :

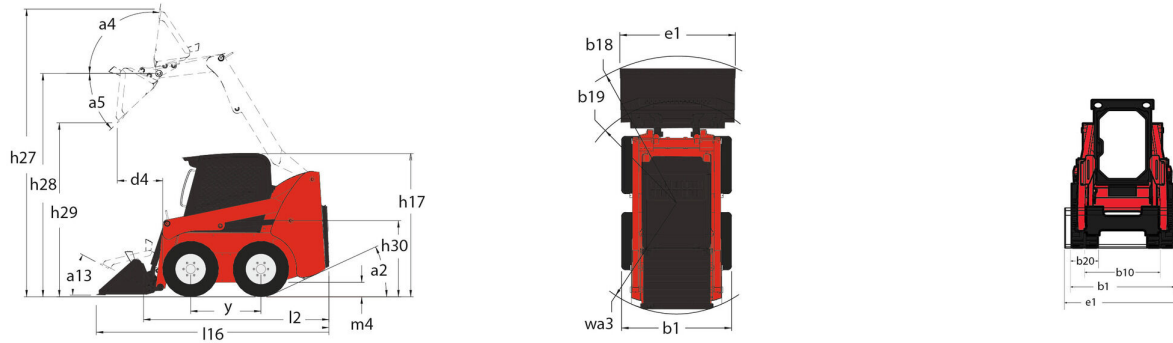
# **1050 R**

---



Capacities		Imperial
Rated Operating Capacity		1049 lb
Rated Operating Capacity with Optional Counterweight		1175 lb
Unladen weight		4200 lb
Weight and dimensions		
Overall Operating Height - Fully Raised	h27	140 in
Height to Hinge Pin - Fully Raised	h28	108 in
Overall Height to Top of ROPS	h17	70 in
Dump angle at full height	a5	42 °
Dump height	h29	84 in
Overall length with bucket	l16	114 in
Dump reach - Full height		23 in
Rollback at ground		29 °
Seat to ground height	h30	33 in
Wheelbase	y	34 in
Overall width less bucket	b1	48 in
Bucket Width	e1	55 in
Ground clearance	m4	6 in
Overall length - Less Bucket	l2	89 in
Departure angle	a2	26 °
Clearance Radius - Front with Bucket	b18	69 in
Clearance Circle - Front without Bucket	b19	44 in
Clearance Circle - Rear	wa1	54 in
Performances		
Travel speed (unladen)		6 mi/h
Wheels		
Standard tyres		27x8.5x15 HD
Engine		
Engine brand		Yanmar
Engine model		3TNV88C-KMS
Gross Power (kW)		25.50 kW
Net Power (kW)		24.70 kW
Max. torque / Engine rotation		108 Nm / 2800 rpm
Battery		12 V
Alternator		40 kW
Starter (kW)		2.30 kW
Hydraulics		
Standard flow - Auxiliary hydraulics		55.10 l/min
Auxiliary Hydraulic Pressure		2750 PSI
Tank capacities		
Fuel tank		10 US gal
Reservoir Capacity Hydraulics		8 US gal
Displacement		0 US gal
Noise and vibration		
Environmental noise (LwA)		101 dB
Noise at driving position (LpA)		80 dB
Whole-Body Vibration (ISO 2631-1)		0.81 m/s <sup>2</sup>
Vibration to whole hand/arm		< 0.93 m/s <sup>2</sup>

## 1050 R - Dimensional drawing



## Equipment

—	
Integral Access Plate (removable)	Standard
<b>Lifting function</b>	
All-Tach® Attachment Mounting System	Standard
Auxiliary Hydraulics	Standard
<b>Lighting</b>	
Work Lights - Front and Rear	Standard
<b>Motorization/Power</b>	
Engine Block Heater	Standard
<b>Operator station</b>	
Cab Enclosure	Optional
Foot and Hand Throttles 2	Standard
Gehl T-Bar Controls	Standard
Hand/Foot Controls	Standard
Heating	Optional
High-Back Adjustable Seat	Standard
Hom	Optional
ROPS/FOPS Level II Overhead Guard	Standard
Sound Reduction Material	Standard
Suspension Seat - Mechanical	Optional
<b>Other options</b>	
Hydrostatic Drive - Servo	Standard
Selectable Self-Leveling Hydraulic Lift Action 4	Optional
<b>Safety</b>	
Anti-Vandalism Protection	Standard
Back-Up Alarm	Optional
Brake Control (Auto / Manual)	Standard
Hyaloc™ Safety System	Standard
Lift Arm Support Device	Standard
Operator Restraint Bar	Standard
<b>Secondary functions</b>	
Counterweight	Optional
Full Instrumentation	Standard



Siège Social

430 rue de l'Aubinière - 44150 Ancenis Cedex - France

Tel: +33(0)2 40 09 10 11 - Fax: +33 (0)2 40 09 10 97

[www.manitou.com](http://www.manitou.com)



This brochure describes versions and configuration options for Manitou products which may be fitted with different equipment. The equipment described in this brochure may be standard, optional or not available depending on version. Manitou reserves the right to change the specifications shown and described at any time and without prior warning. The manufacturer is not liable for the specifications given. For more information, contact your Manitou dealer. Non-contractual document. Product descriptions may differ from actual products. List of specifications is not comprehensive. The logos and visual identity of the company are the property of Manitou and may not be used without authorisation. All rights reserved. The photos and diagrams contained in this brochure are provided for information only.

MANITOU BF SA - Limited company with board of directors - Share capital: 39,668,399 euros - 857 802 508 RCS Nantes